

# BDVLF Brass Ball Drip Valve

## Specification Sheet

### FEATURES & BENEFITS

- Lead Free Brass
- Two Piece
- Solid Brass Ball
- Pressure Rating: 200 PSI
- NPT Threads Meet ANSI / ASME B1.20.1
- For Horizontal Use Only
- Sizes 1/2" - 3/4"

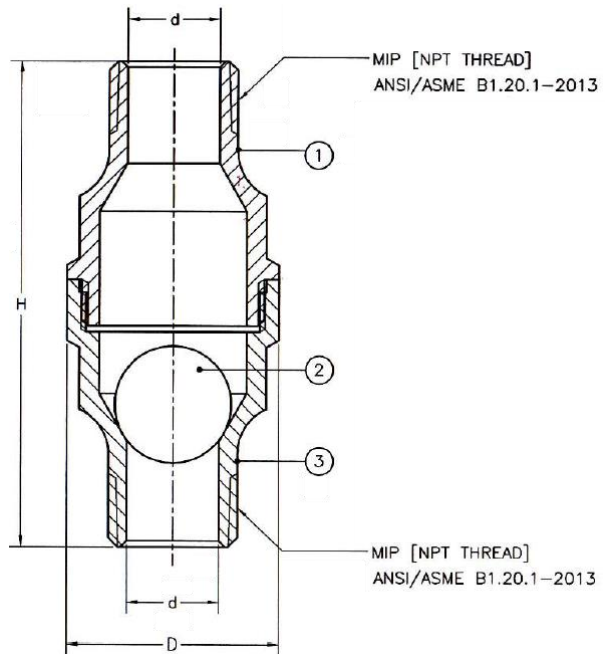
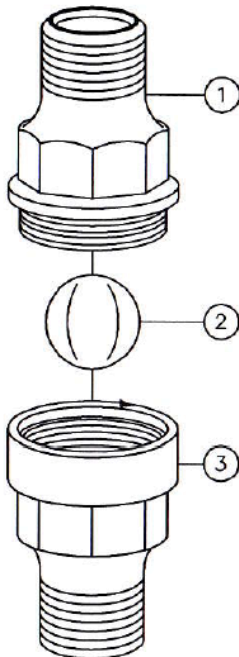


### MATERIAL SPECIFICATIONS

No.	Part	Material
1	Bonnet	Cast Brass C46400
2	Ball	Cast Brass C46400
3	Body	Cast Brass C46400

### DIMENSIONS

Part #	Size	d	D	H	MIP
BDV-03LF	1/2"	0.59	1.36	3.11	1/2"-14NPT
BDV-04LF	3/4"	0.71	1.36	3.05	3/4"-14NPT



**MATCO**  
**NORCA**