

BARV Steam Radiator Angle Valve • Spec Sheet



FEATURES & BENEFITS

- Bronze - Heavy Pattern
- FIP x Male Union
- With Nut & Tailpiece
- 15 WSP - 60 WOG
- ISO 9002
- Size 1/2" - 2"

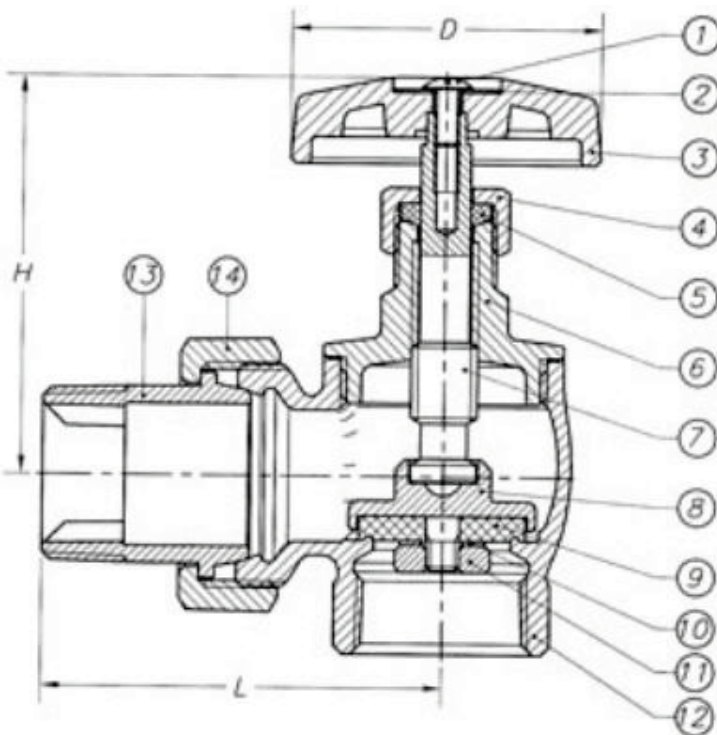
Also Available: BARVY
Same Valve in Brass

DIMENSIONS

Size	Part #	D	H	L
1/2"	BARV-0500	2.30	2.76	2.23
3/4"	BARV-0750	2.30	2.76	2.54
1"	BARV-1000	2.30	3.05	2.84
1-1/4"	BARV-1250	2.30	3.33	3.19
1-1/2"	BARV-1500	2.30	3.47	3.59
2"	BARV-2000	2.30	4.02	4.53

MATERIAL SPECIFICATIONS

No.	Part	Material
1	Handle Bolt	Hot Rolled SAE 1010R
2	Name Plate	Aluminum A1100
3	Handwheel	Phenolic
4	Packing Nut	Brass B16 C36000
5	Gland Packing	PTFE
6	Bonnet	Bronze B584 C84400
7	Stem	Brass B16 C36000
8	Seat Holder	Brass B16 C36000
9	Seat Packing	PTFE
10	Washer	Brass B16 C36000
11	Seat Nut	Brass B16 C36000
12	Body	Bronze B584 C84400
13	Nipple	Bronze B584 C84400
14	Nipple Nut	Bronze B584 C84400



MATCO-NORCA

Global sourcing. National compliance. Local service.

CALIFORNIA 5593 Fresca Dr., La Palma CA 90623 • Toll Free: 866-532-8306 • Fax: 866-532-8307
TEXAS 1150 Silber Rd., Houston TX 77055 • Toll Free: 800-935-5456 • Fax: 713-680-2999
NEW YORK PO Box 27, Rt. 22, Brewster NY 10509 • Toll Free: 800-431-2082 • Fax: 845-278-9056
 WEB: www.matco-norca.com EMAIL: mail@matco-norca.com