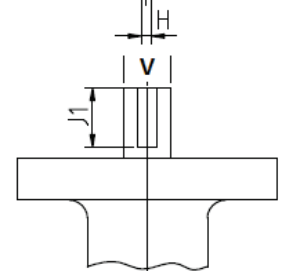
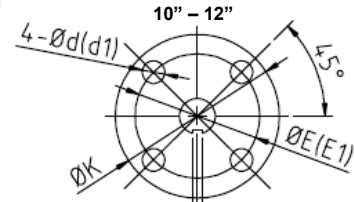
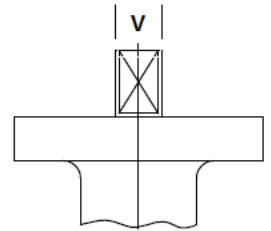
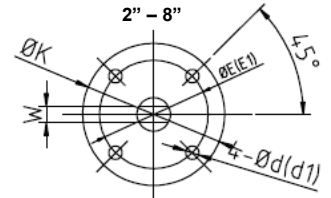


B7 Butterfly Valve - Wafer Style • Spec Sheet

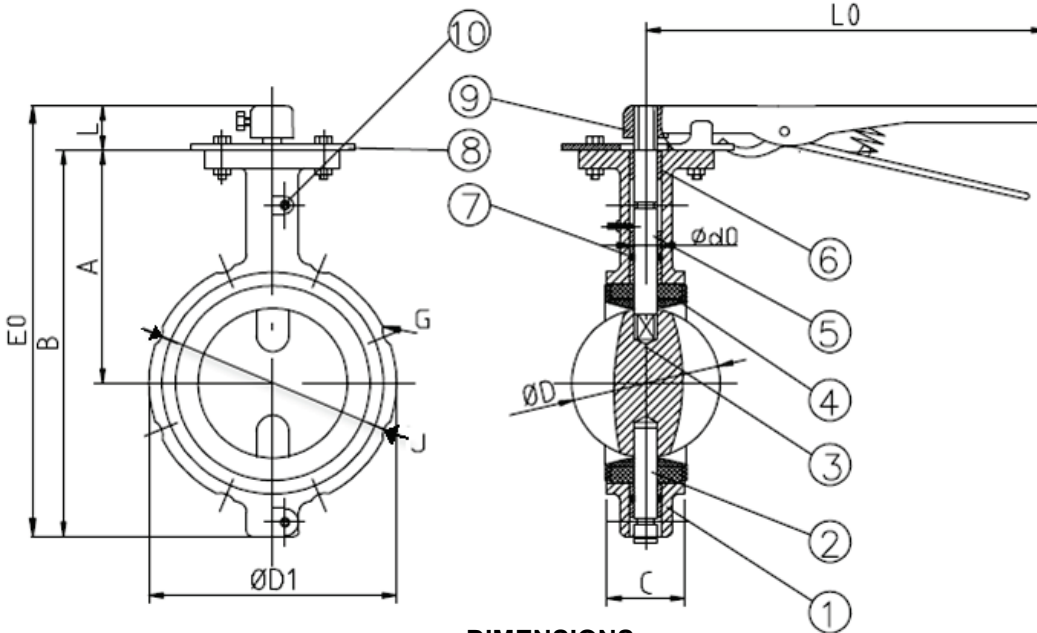


FEATURES & BENEFITS

- Cast Iron Body
- 200 PSI
- 10 Position Lever Handle
- Short Neck with Zurk Fitting
- Two-Piece Valve Stem
- API 598 & API 609
- Sizes 2" - 12"



MATERIAL SPECIFICATIONS



DIMENSIONS

Size	Wt.	A	B	C	D	L	D1	K	E	E1	4-Ød	4-Ød1	L0	G	d0	J	V	W	J1	H	E0
2"	7.05	4.57	7.33	1.64	2.08	1.00	4.12	4.00	3.25	1.97	0.44	0.28	10.48	5/8"	0.50	3.98	0.50	0.35	-	-	8.33
2-1/2"	9.04	4.77	7.92	1.74	2.54	1.00	4.65	4.00	3.25	1.97	0.44	0.28	10.48	5/8"	0.50	4.53	0.50	0.35	-	-	8.92
3"	9.92	4.88	8.87	1.73	3.10	1.00	5.12	4.00	3.25	1.97	0.44	0.28	10.48	5/8"	0.50	5.00	0.50	0.35	-	-	9.87
4"	12.79	6.00	10.09	2.02	4.10	1.00	6.86	4.00	3.25	2.76	0.44	0.39	10.48	5/8"	0.62	6.50	0.63	0.43	-	-	11.09
5"	17.42	6.26	11.15	2.13	4.86	1.18	7.49	4.00	3.25	2.76	0.44	0.39	10.48	3/4"	0.75	7.09	0.69	0.50	-	-	12.33
6"	19.18	6.50	11.53	2.18	6.11	1.18	8.61	4.00	3.25	2.76	0.44	0.39	10.48	3/4"	0.75	8.20	0.75	0.50	-	-	12.71
8"	32.41	7.92	14.18	2.37	7.98	1.38	11.17	6.05	5.00	4.02	0.56	0.47	13.99	3/4"	0.87	10.54	0.87	0.63	-	-	15.56
10"	45.64	9.98	17.40	2.57	9.87	1.38	13.49	6.05	5.00	4.02	0.56	0.47	19.90	7/8"	1.12	12.81	1.14	-	1.00	0.25	18.78
12"	74.96	12.21	21.87	3.01	11.88	1.42	16.13	6.05	5.00	4.02	0.56	0.47	19.90	7/8"	1.25	15.62	1.25	-	1.00	0.25	23.29

No.	Part	Material
1	Body	Cast Iron
2	Stem	416 Stainless Steel
3	Disc	Ductile Iron or Aluminum Bronze
4	Seat	BUNA
5	Stem	416 Stainless Steel
6	Bushing	PTFE
7	O-Ring	BUNA
8	Indicator	Carbon Steel
9	Lever	Cast Iron
10	Pin	Carbon Steel

MATCO-NORCA
 Global sourcing. National compliance. Local service.

CALIFORNIA 5593 Fresca Dr., La Palma CA 90623 • Toll Free: 866-532-8306 • Fax: 866-532-8307
TEXAS 1150 Silber Rd., Houston TX 77055 • Toll Free: 800-935-5456 • Fax: 713-680-2999
NEW YORK PO Box 27, Rt. 22, Brewster NY 10509 • Toll Free: 800-431-2082 • Fax: 845-278-9056
 WEB: www.matco-norca.com EMAIL: mail@matco-norca.com