

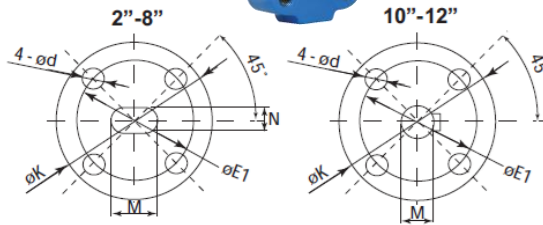
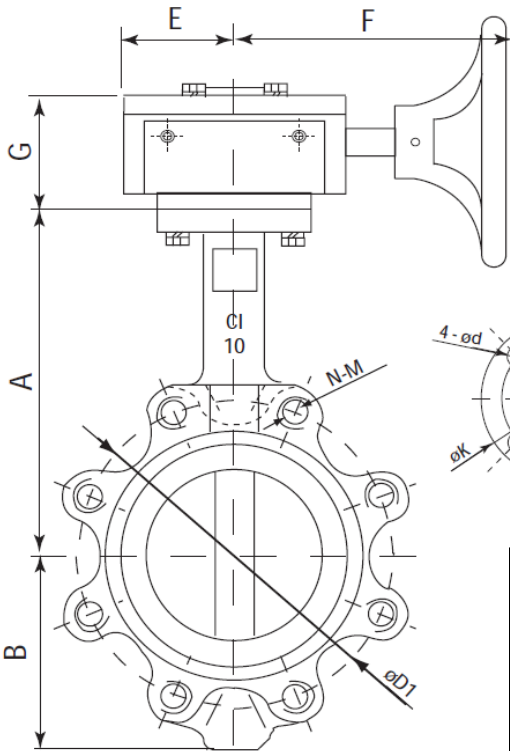
B6 Butterfly Valve

Specification Sheet

LUG STYLE – GEAR OPERATED – PART # B6-LGG

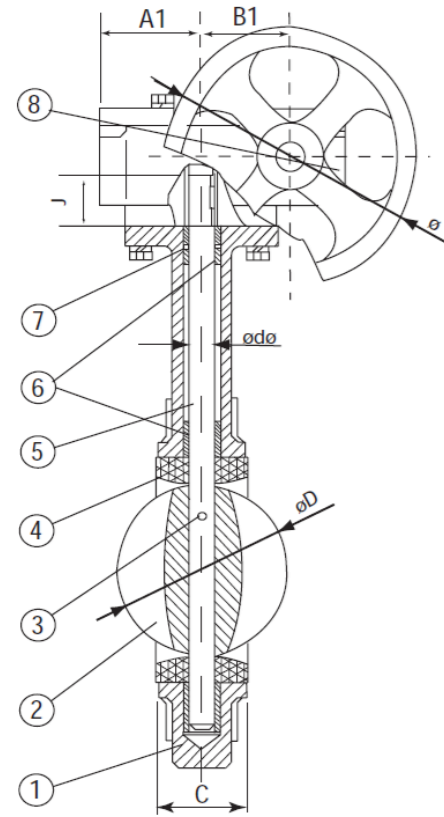
- ❖ Cast Iron Body
- ❖ 200 PSI
- ❖ One-Piece Valve Stem

- ❖ PTFE Stem Bushings
- ❖ Nickel Plated Ductile Iron Disc
- ❖ BUNA-N Seat



MATERIAL SPECIFICATIONS

No.	Part	Material
1	Body	Cast Iron ASTM A 126B
2	Disc	Ductile Iron A536 65-45-12
3	Pin	SS420
4	Seat	Buna N
5	Stem	SS420
6	Bushing	PTFE
7	O-Ring	Buna N
8	Gear	Cast Iron ASTM A126B



DIMENSIONS

Part#	Size	Wt.	A	B	C	D	Lø	dø	J	K	E1	4-ød	N-M	D1	M	N	G	E	F	A1	B1	ø
B6-LGG2	2"	19.4	6.34	3.15	1.65	2.08	10.47	0.49	1.26	4.00	3.25	4-.44	4-5/8"	4.75	9/16	3/8	2.95	2.05	6.02	2.05	1.77	5.91
B6-LGG2.5	2.5"	20.2	6.89	3.50	1.80	2.54	10.47	0.49	1.26	4.00	3.25	4-.44	4-5/8"	5.50	9/16	3/8	2.95	2.05	6.02	2.05	1.77	5.91
B6-LGG3	3"	21.6	7.13	3.74	1.80	3.10	10.47	0.49	1.26	4.00	3.25	4-.44	4-5/8"	6.00	9/16	3/8	2.95	2.05	6.02	2.05	1.77	5.91
B6-LGG4	4"	30.8	7.87	4.49	2.05	4.09	10.47	0.62	1.26	4.00	3.25	4-.44	8-5/8"	7.50	5/8	7/16	2.95	2.05	6.02	2.05	1.77	5.91
B6-LGG5	5"	35.4	8.39	5.00	2.16	4.85	10.47	0.74	1.26	4.00	3.25	4-.44	8-3/4"	8.50	3/4	1/2	2.95	2.05	6.02	2.05	1.77	5.91
B6-LGG6	6"	42.2	8.90	5.47	2.20	6.11	10.47	0.74	1.26	4.00	3.25	4-.44	8-3/4"	9.50	3/4	1/2	2.95	2.05	6.02	2.05	1.77	5.91
B6-LGG8	8"	66.2	10.24	6.89	2.43	7.97	13.98	0.87	1.77	6.05	5.00	4-.56	8-3/4"	11.75	7/8	5/8	3.39	2.95	9.84	2.95	2.48	11.81
B6-LGG10	10"	85.1	11.50	7.99	2.65	9.86	19.88	1.12	1.77	6.05	5.00	4-.56	12-7/8"	14.25	1-1/8	-	3.39	2.95	9.84	2.95	2.48	11.81
B6-LGG12	12"	117.9	13.27	9.53	3.03	11.87	19.88	1.24	1.77	6.05	5.00	4-.56	12-7/8"	17.00	1-1/8	-	3.27	3.19	8.94	3.19	3.15	11.81



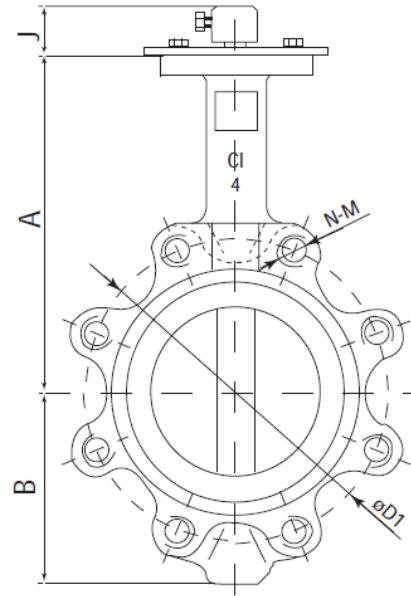
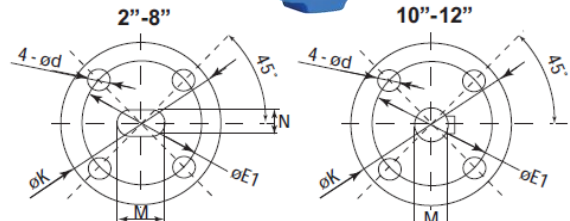
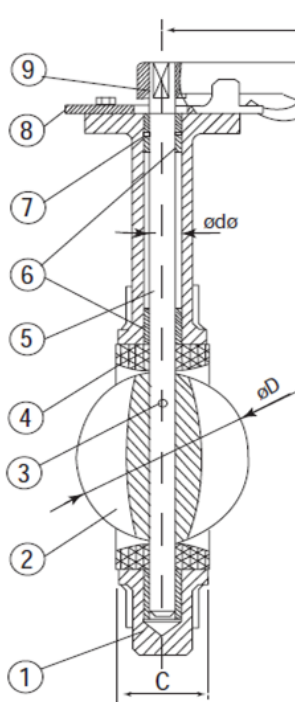
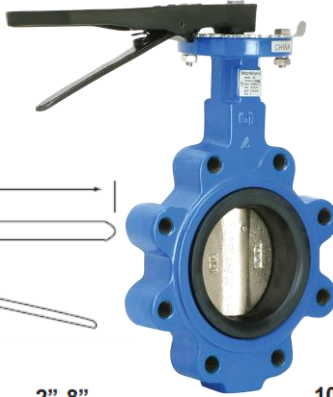
B6 Butterfly Valve

Specification Sheet

LUG STYLE – LEVER OPERATED – PART # B6-LGL

- ❖ Cast Iron Body
- ❖ 200 PSI
- ❖ One-Piece Valve Stem

- ❖ PTFE Stem Bushings
- ❖ Nickel Plated Ductile Iron Disc
- ❖ BUNA-N Seat



MATERIAL SPECIFICATIONS

No.	Part	Material
1	Body	Cast Iron ASTM A 126B
2	Disc	Ductile Iron A536 65-45-12
3	Pin	SS420
4	Seat	Buna N
5	Stem	SS420
6	Bushing	PTFE
7	O-Ring	Buna N
8	Indicator	Chrome Plated Carbon Steel
9	Lever	Cast

DIMENSIONS

Part#	Size	Wt.	A	B	C	D	Lø	dø	J	K	E1	4-ød	N-M	D1	M	N
B6-LGL2	2"	9.9	6.34	3.15	1.65	2.08	10.47	0.49	1.26	4.00	3.25	4-.44	4-5/8"	4.75	9/16	3/8
B6-LGL2.5	2.5"	10.8	6.89	3.50	1.80	2.54	10.47	0.49	1.26	4.00	3.25	4-.44	4-5/8"	5.50	9/16	3/8
B6-LGL3	3"	12.1	7.13	3.74	1.80	3.10	10.47	0.49	1.26	4.00	3.25	4-.44	4-5/8"	6.00	9/16	3/8
B6-LGL4	4"	21.3	7.87	4.49	2.05	4.09	10.47	0.62	1.26	4.00	3.25	4-.44	8-5/8"	7.50	5/8	7/16
B6-LGL5	5"	26.0	8.39	5.00	2.16	4.85	10.47	0.74	1.26	4.00	3.25	4-.44	8-3/4"	8.50	3/4	1/2
B6-LGL6	6"	32.8	8.90	5.47	2.20	6.11	10.47	0.74	1.26	4.00	3.25	4-.44	8-3/4"	9.50	3/4	1/2
B6-LGL8	8"	41.1	10.24	6.89	2.43	7.97	13.98	0.87	1.77	6.05	5.00	4-.56	8-3/4"	11.75	7/8	5/8
B6-LGL10	10"	62.0	11.50	7.99	2.65	9.86	19.88	1.12	1.77	6.05	5.00	4-.56	12-7/8"	14.25	1-1/8	-
B6-LGL12	12"	92.0	13.27	9.53	3.03	11.87	19.88	1.24	1.77	6.05	5.00	4-.56	12-7/8"	17.00	1-1/8	-



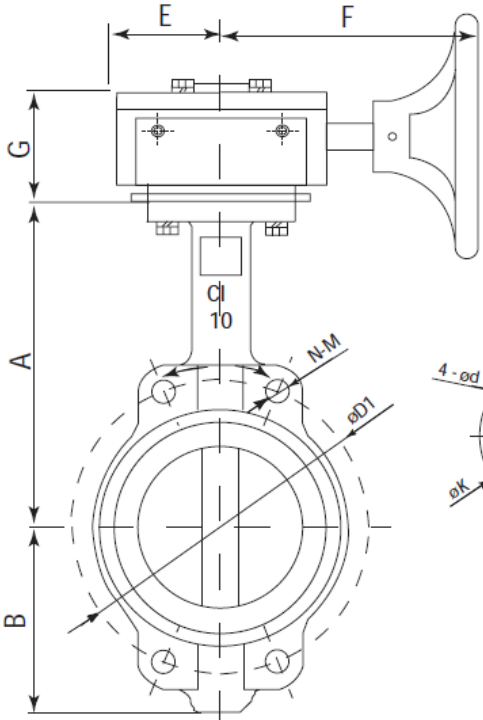
B6 Butterfly Valve

Specification Sheet

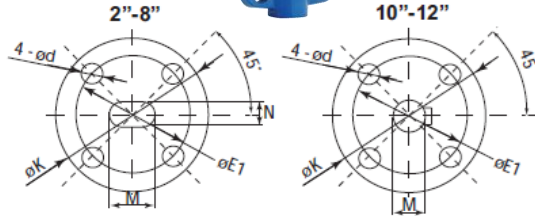
WAFER STYLE – GEAR OPERATED – PART # B6-RWG

- ❖ Cast Iron Body
- ❖ 200 PSI
- ❖ One-Piece Valve Stem

- ❖ PTFE Stem Bushings
- ❖ Nickel Plated Ductile Iron Disc
- ❖ BUNA-N Seat

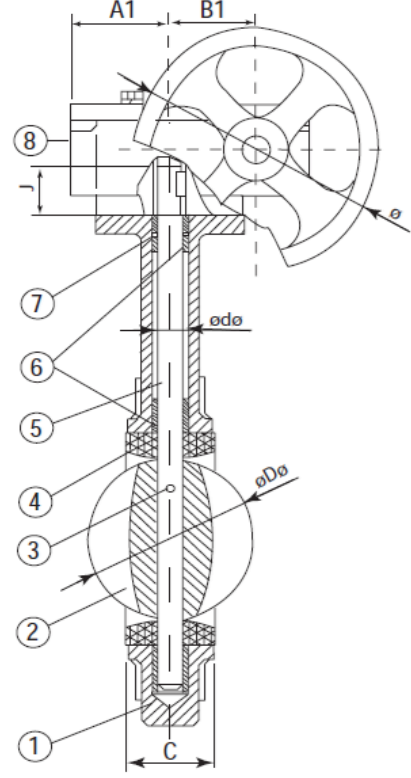


MSS
SP-67 Compliant



MATERIAL SPECIFICATIONS

No.	Part	Material
1	Body	Cast Iron ASTM A 126B
2	Disc	Ductile Iron A536 65-45-12
3	Pin	SS420
4	Seat	Buna N
5	Stem	SS420
6	Bushing	PTFE
7	O-Ring	Buna N
8	Gear	Cast Iron ASTM A126B



DIMENSIONS

Part#	Size	Wt.	A	B	C	D	Lø	dø	J	K	E1	4-ød	N-M	D1	M	N	G	E	F	A1	B1	ø
B6-RWG2	2"	16.5	6.34	3.15	1.65	2.08	10.47	0.49	1.26	4.00	3.25	4-.44	4-5/8"	4.75	9/16	3/8	2.95	2.05	6.02	2.05	1.77	5.91
B6-RWG2.5	2.5"	18.0	6.89	3.50	1.80	2.54	10.47	0.49	1.26	4.00	3.25	4-.44	4-5/8"	5.50	9/16	3/8	2.95	2.05	6.02	2.05	1.77	5.91
B6-RWG3	3"	18.9	7.13	3.74	1.80	3.10	10.47	0.49	1.26	4.00	3.25	4-.44	4-5/8"	6.00	9/16	3/8	2.95	2.05	6.02	2.05	1.77	5.91
B6-RW4	4"	21.8	7.87	4.49	2.05	4.09	10.47	0.62	1.26	4.00	3.25	4-.44	8-5/8"	7.50	5/8	7/16	2.95	2.05	6.02	2.05	1.77	5.91
B6-RWG5	5"	26.4	8.39	5.00	2.16	4.85	10.47	0.74	1.26	4.00	3.25	4-.44	8-3/4"	8.50	3/4	1/2	2.95	2.05	6.02	2.05	1.77	5.91
B6-RWG6	6"	28.1	8.90	5.47	2.20	6.11	10.47	0.74	1.26	4.00	3.25	4-.44	8-3/4"	9.50	3/4	1/2	2.95	2.05	6.02	2.05	1.77	5.91
B6-RWG8	8"	54.1	10.24	6.89	2.43	7.97	13.98	0.87	1.77	6.05	5.00	4-.56	8-3/4"	11.75	7/8	5/8	3.39	2.95	9.84	2.95	2.48	11.81
B6-RWG10	10"	67.3	11.50	7.99	2.65	9.86	19.88	1.12	1.77	6.05	5.00	4-.56	12-7/8"	14.25	1-1/8	-	3.39	2.95	9.84	2.95	2.48	11.81
B6-RWG12	12"	100.1	13.27	9.53	3.03	11.87	19.88	1.24	1.77	6.05	5.00	4-.56	12-7/8"	17.00	1-1/8	-	3.27	3.19	8.94	3.19	3.15	11.81



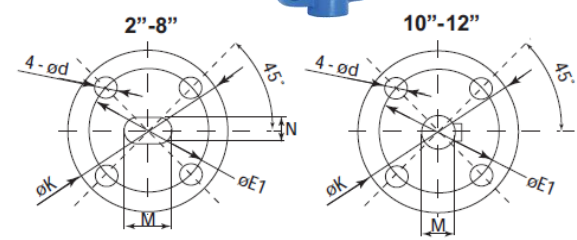
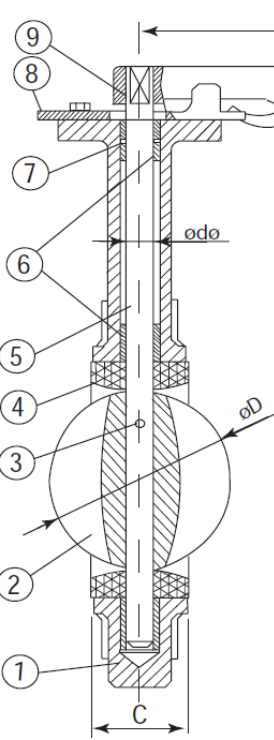
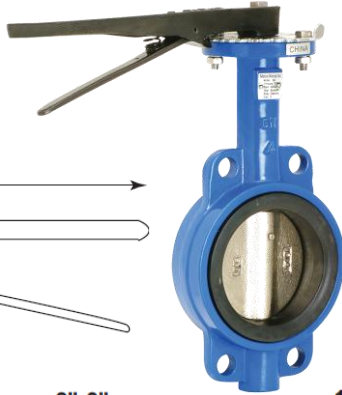
B6 Butterfly Valve

Specification Sheet

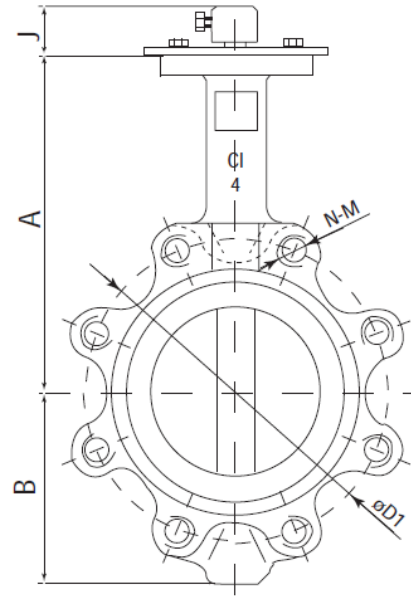
WAFER STYLE – LEVER OPERATED – PART # B6-RLO

- ❖ Cast Iron Body
- ❖ 200 PSI
- ❖ One-Piece Valve Stem

- ❖ PTFE Stem Bushings
- ❖ Nickel Plated Ductile Iron Disc
- ❖ BUNA-N Seat



MSS
SP-67 Compliant



MATERIAL SPECIFICATIONS

No.	Part	Material
1	Body	Cast Iron ASTM A 126B
2	Disc	Ductile Iron A536 65-45-12
3	Pin	SS420
4	Seat	Buna N
5	Stem	SS420
6	Bushing	PTFE
7	O-Ring	Buna N
8	Gear	Cast Iron ASTM A126B

DIMENSIONS

Part#	Size	Wt.	A	B	C	D	Lø	dø	J	K	E1	4-ød	N-M	D1	M	N
B6-RLO2	2"	7.0	6.34	3.15	1.65	2.08	10.47	0.49	1.26	4.00	3.25	4-.44	4-5/8"	4.75	9/16	3/8
B6-RLO2.5	2.5"	8.6	6.89	3.50	1.80	2.54	10.47	0.49	1.26	4.00	3.25	4-.44	4-5/8"	5.50	9/16	3/8
B6-RLO3	3"	9.5	7.13	3.74	1.80	3.10	10.47	0.49	1.26	4.00	3.25	4-.44	4-5/8"	6.00	9/16	3/8
B6-RLO4	4"	12.3	7.87	4.49	2.05	4.09	10.47	0.62	1.26	4.00	3.25	4-.44	8-5/8"	7.50	5/8	7/16
B6-RLO5	5"	16.9	8.39	5.00	2.16	4.85	10.47	0.74	1.26	4.00	3.25	4-.44	8-3/4"	8.50	3/4	1/2
B6-RLO6	6"	18.7	8.90	5.47	2.20	6.11	10.47	0.74	1.26	4.00	3.25	4-.44	8-3/4"	9.50	3/4	1/2
B6-RLO8	8"	31.0	10.24	6.89	2.43	7.97	13.98	0.87	1.77	6.05	5.00	4-.56	8-3/4"	11.75	7/8	5/8
B6-RLO10	10"	44.2	11.50	7.99	2.65	9.86	19.88	1.12	1.77	6.05	5.00	4-.56	12-7/8"	14.25	1-1/8	-
B6-RLO12	12"	73.5	13.27	9.53	3.03	11.87	19.88	1.24	1.77	6.05	5.00	4-.56	12-7/8"	17.00	1-1/8	-

