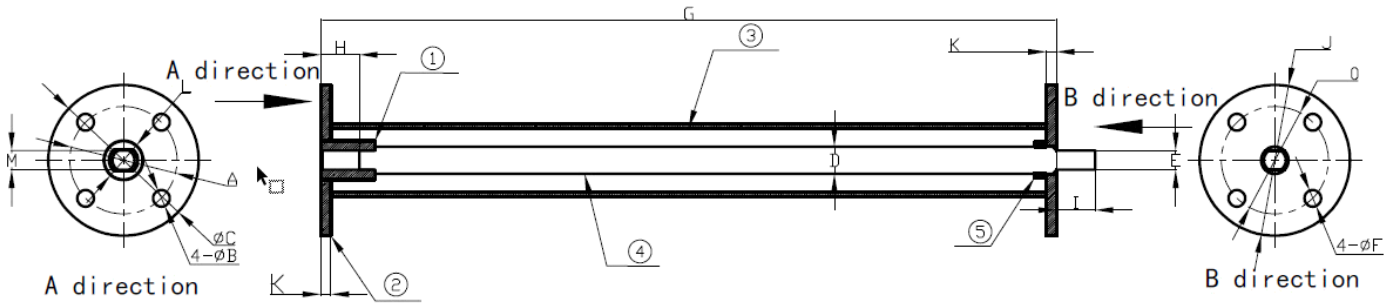


B5 Butterfly Valve Extension Specification Sheet



DIMENSIONS

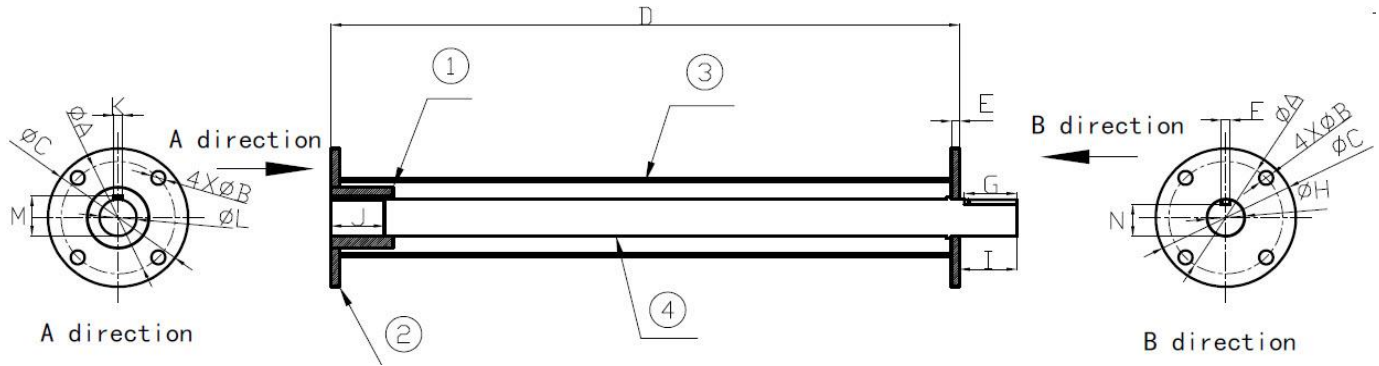
Dimensions/ Size	2-3"	4"	5"-6"	8"	10"	12"
A	2.25	2.76	2.76	3.50	3.50	4.26
B	0.30	0.43	0.43	0.55	0.55	0.55
C	3.03	3.62	3.62	4.93	4.93	5.52
D	0.59	0.67	0.79	0.91	1.18	1.18
E	0.38	0.44	0.50	0.63	0.85	0.85
F	0.30	0.43	0.43	0.55	0.55	0.55
G	24.03	24.03	24.03	24.03	24.03	24.03
H	1.26	1.26	1.26	1.38	1.42	1.42
I	1.26	1.26	1.26	1.38	1.42	1.42
J	3.03	3.62	3.62	4.93	4.93	5.52
K	0.33	0.33	0.33	0.33	0.33	0.33
L	0.95	1.06	1.06	0.13	1.69	1.69
M	0.38	0.44	0.50	0.63	0.85	0.85
O	2.25	2.76	2.76	3.50	3.50	4.26

MATERIAL SPECIFICATIONS

No.	Part	Material	QTY
1	Snap Ring	Carbon Steel	1
2	Stem	Carbon Steel	1
3	Protective Tube	Carbon Steel	1
4	Flange Plate	Carbon Steel	1
5	Joint	Carbon Steel	1

Extension Stem
Length 24" - 72"

B5 Butterfly Valve Extension Specification Sheet



DIMENSIONS

Dimensions/ Size	14"	16"	18"	20"- 24"
A	5.00	5.00	6.50	6.50
B	0.55	0.55	0.81	0.81
C	5.99	5.99	8.00	8.00
D	24.03	24.03	24.03	24.43
E	0.47	0.47	0.47	0.47
F	0.32	0.38	0.50	0.50
G	1.99	2.21	2.99	2.99
H	1.37	1.62	1.87	2.12
I	2.48	2.48	3.23	3.23
J	2.40	2.40	3.15	0.32
K	0.32	0.38	0.50	0.50
L	1.38	1.64	1.88	2.13
M	1.52	1.80	2.10	2.35
N	1.19	1.41	1.58	1.83

MATERIAL SPECIFICATIONS

No.	Part	Material	QTY
1	Stem	Carbon Steel	1
2	Protective Tube	Carbon Steel	1
3	Flange Plate	Carbon Steel	1
4	Joint	Carbon Steel	1

Extension Stem
Length 24" - 72"