

B1-RLO Wafer Style PVC Butterfly Valve • Spec Sheet

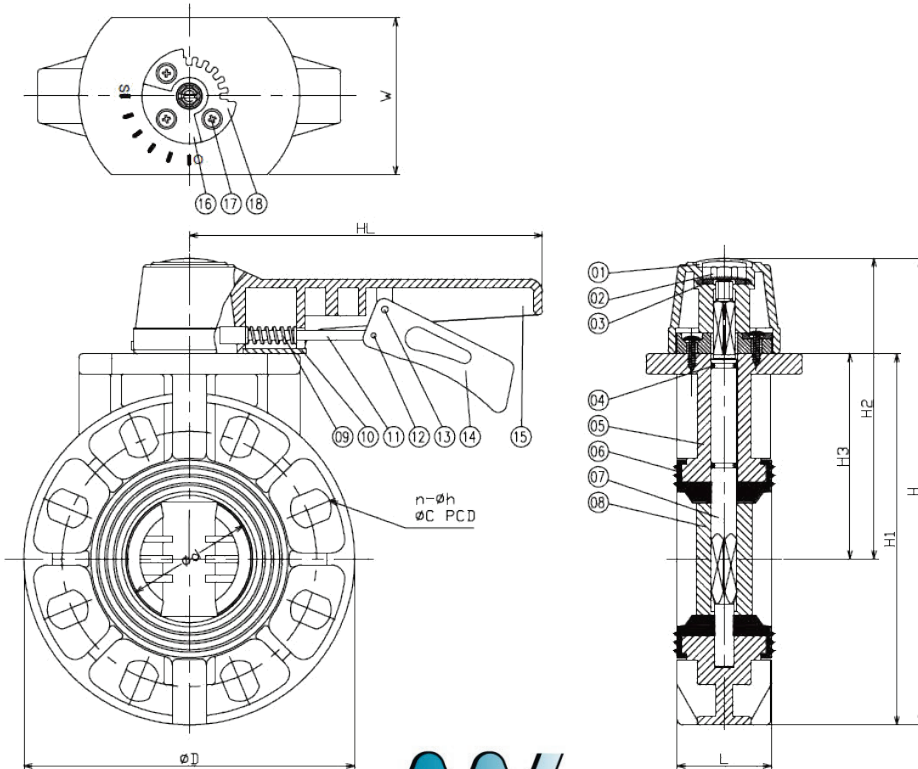


FEATURES & BENEFITS

- Wafer Style
- 10 Position Lever Operated
- 200 PSI
- CE Approved
- Sizes 2" - 6"

DIMENSIONS

| Part # | Size | L | Ød | ØD | ØC | n-Øh | H | H1 | H2 | H3 | W | HL |
|-----------|--------|------|------|-------|------|-------------|-------|-------|------|------|------|-------|
| B1-RLO2 | 2" | 1.87 | 1.97 | 6.38 | 4.76 | 0.16 - 0.75 | 9.46 | 7.37 | 6.26 | 4.06 | 3.62 | 8.20 |
| B1-RLO2.5 | 2-1/2" | 1.67 | 2.52 | 7.03 | 5.50 | 0.16 - 0.75 | 10.20 | 8.00 | 6.70 | 4.49 | 3.62 | 8.20 |
| B1-RLO3 | 3" | 2.13 | 2.88 | 7.68 | 6.00 | 0.16 - 0.75 | 10.76 | 8.55 | 6.93 | 4.73 | 3.62 | 8.20 |
| B1-RLO4 | 4" | 2.17 | 3.86 | 8.87 | 7.51 | 0.32 - 0.75 | 11.90 | 9.69 | 7.45 | 5.28 | 3.62 | 8.20 |
| B1-RLO6 | 6" | 2.60 | 5.63 | 11.11 | 9.52 | 0.32 - 0.87 | 14.50 | 12.14 | 8.94 | 6.62 | 4.33 | 11.03 |



MATERIAL SPECIFICATIONS

| No. | Part | Material |
|-----|--------------|---------------------|
| 1 | Handle Cap | ABS |
| 2 | Nut | Stainless Steel 27 |
| 3 | Washer | Stainless Steel 27 |
| 4 | O-Ring | EPDM |
| 5 | Body | PVC |
| 6 | Seat | EPDM |
| 7 | Stem | Stainless Steel 410 |
| 8 | Disc | Polypropylene |
| 9 | Spring | Stainless Steel 316 |
| 10 | Spring Lock | ABS |
| 11 | Handle Lever | Stainless Steel 304 |
| 12 | Pin | Stainless Steel 27 |
| 13 | Pin | Stainless Steel 27 |
| 14 | Small Handle | ABS |
| 15 | Handle | ABS |
| 16 | Gear Seat | ABS |
| 17 | Bolt | Stainless Steel 27 |
| 18 | Lock Plate | Stainless Steel 304 |

 **MATCO-NORCA**
Global sourcing. National compliance. Local service.

CALIFORNIA 5593 Fresca Dr., La Palma CA 90623 • Toll Free: 866-532-8306 • Fax: 866-532-8307
TEXAS 1150 Silber Rd., Houston TX 77055 • Toll Free: 800-935-5456 • Fax: 713-680-2999
NEW YORK PO Box 27, Rt. 22, Brewster NY 10509 • Toll Free: 800-431-2082 • Fax: 845-278-9056
 WEB: www.matco-norca.com EMAIL: mail@matco-norca.com

B1-RWG Wafer Style PVC Butterfly Valve • Spec Sheet

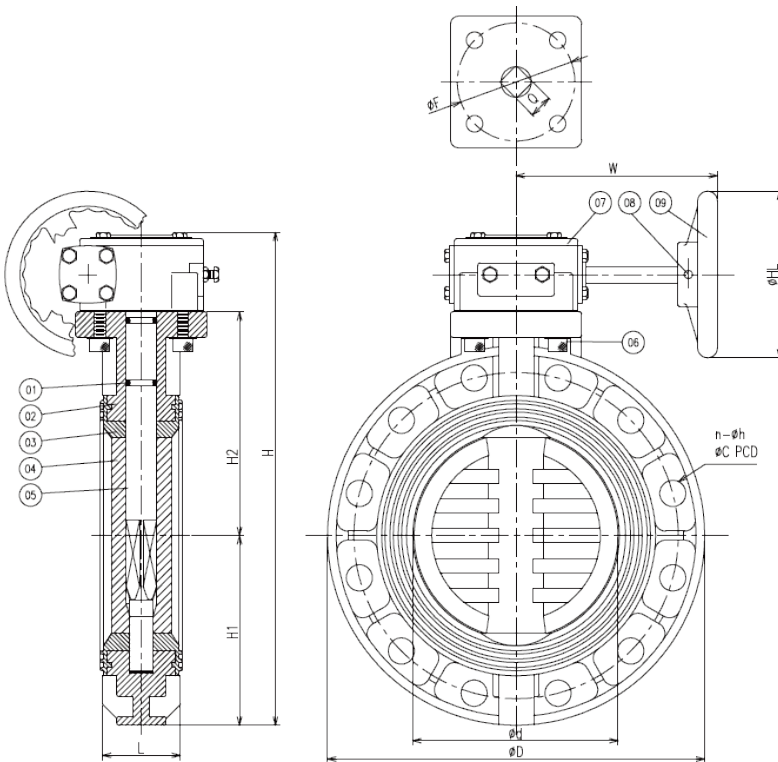


FEATURES & BENEFITS

- Wafer Style
- Gear Operator
- 200 PSI
- CE Approved
- Sizes 8" - 12"

DIMENSIONS

| Part # | Size | L | Ød | ØD | ØC | n-Øh | H | H1 | H2 | W | ØF | Q | ØHL |
|----------|------|------|-------|-------|-------|-------------|-------|------|-------|------|------|------|------|
| B1-RWG8 | 8" | 2.80 | 7.29 | 13.59 | 11.76 | 0.32 - 0.87 | 17.61 | 6.82 | 8.00 | 7.45 | 4.02 | 0.87 | 7.96 |
| B1-RWG10 | 10" | 3.55 | 9.22 | 16.27 | 14.26 | 0.47 - 0.99 | 20.57 | 8.16 | 9.53 | 7.45 | 4.02 | 0.87 | 7.96 |
| B1-RWG12 | 12" | 4.00 | 11.11 | 19.35 | 17.00 | 0.47 - 0.99 | 24.82 | 9.65 | 11.03 | 9.22 | 4.93 | 1.06 | 7.96 |



MATERIAL SPECIFICATIONS

| No. | Part | Material |
|-----|-----------|---------------------|
| 1 | O-Ring | EPDM |
| 2 | Body | PVC |
| 3 | Seat | EPDM |
| 4 | Disc | Polypropylene |
| 5 | Stem | Stainless Steel 410 |
| 6 | Bolt | Stainless Steel 27 |
| 7 | Worm Gear | Cast Iron FC20 |
| 8 | Pin | Stainless Steel 410 |
| 9 | Handle | Cast Iron FC20 |

 **MATCO-NORCA**
Global sourcing. National compliance. Local service.

CALIFORNIA 5593 Fresca Dr., La Palma CA 90623 • Toll Free: 866-532-8306 • Fax: 866-532-8307
TEXAS 1150 Silber Rd., Houston TX 77055 • Toll Free: 800-935-5456 • Fax: 713-680-2999
NEW YORK PO Box 27, Rt. 22, Brewster NY 10509 • Toll Free: 800-431-2082 • Fax: 845-278-9056
 WEB: www.matco-norca.com EMAIL: mail@matco-norca.com