

AZ207TMLKLF Aztec Loose Key Valve • Spec Sheet



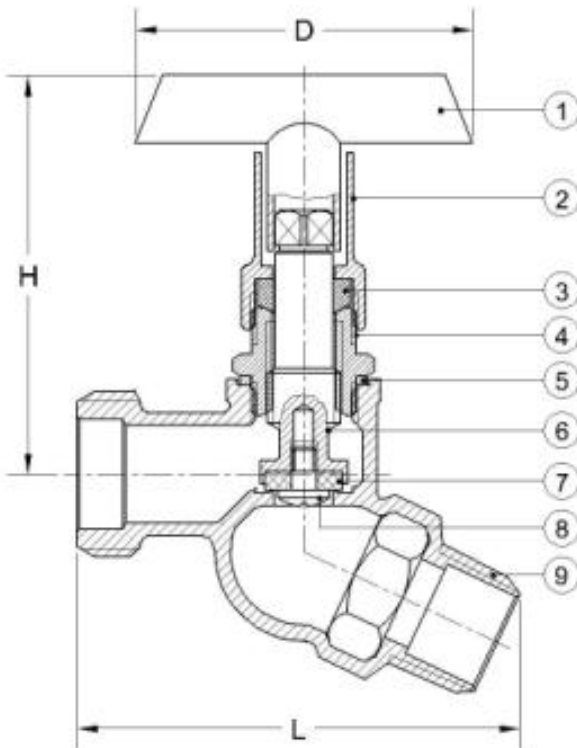
*Product will have LF imprinted on the body for Lead Free

FEATURES & BENEFITS

- Lead Free Brass*
- Graphite Packing
- No Kink
- NSF 61.9
- Sizes 1/2" and 3/4"

DIMENSIONS

| Part # | Size | D | H | L |
|--------------|----------------------|------|------|------|
| AZ207TM3LKLF | 1/2" MIP X 3/4" Hose | 2.17 | 2.56 | 2.88 |
| AZ207TM4LKLF | 3/4" MIP X 3/4" Hose | 2.17 | 2.56 | 2.97 |



MATERIAL SPECIFICATIONS

| No. | Part | Material |
|-----|---------------|-------------------------|
| 1 | T Handle | Zinc |
| 2 | Packing Nut | Brass C89550 |
| 3 | Gland Packing | Graphite |
| 4 | Bonnet | Brass C89550 |
| 5 | Packing | Plastic |
| 6 | Stem | Brass C89550 |
| 7 | Seat Packing | BUNA |
| 8 | Seat Screw | Stainless Steel 304/306 |
| 9 | Body | Brass C89550 |

* This product complies with 0.25% weighted average lead content on wetted surfaces in accordance with CA AB1953.

