

AZ207TMLF Aztec No Kink Hose Bibb • Spec Sheet

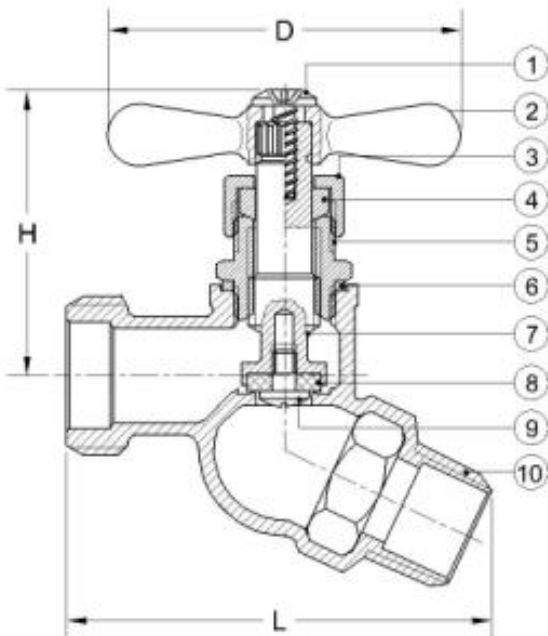


FEATURES & BENEFITS

- Lead Free Brass*
- Graphite Packing
- Epoxy Coated Tee Handle
- NSF 61.9
- 1/2" & 3/4" MIP

DIMENSIONS

Part #	Size	D	H	L
AZ207TM3LF	1/2"	2.30	1.97	2.88
AZ207TM4LF	3/4"	2.30	1.97	2.97



MATERIAL SPECIFICATIONS

No.	Part	Material
1	Handle Bolt	Stainless Steel 304
2	T-Handle	Zinc
3	Packing Nut	Brass C89550
4	Gland Packing	Graphite
5	Bonnet	Brass C89550
6	Packing	Plastic
7	Stem	Brass C89550
8	Seat Packing	BUNA
9	Seat Screw	Stainless Steel 304
10	Body	Brass C89550

* This product complies with 0.25% weighted average lead content on wetted surfaces in accordance with CA AB1953.

