

# AZ207TFLKLF Aztec Loose Key Valve • Spec Sheet

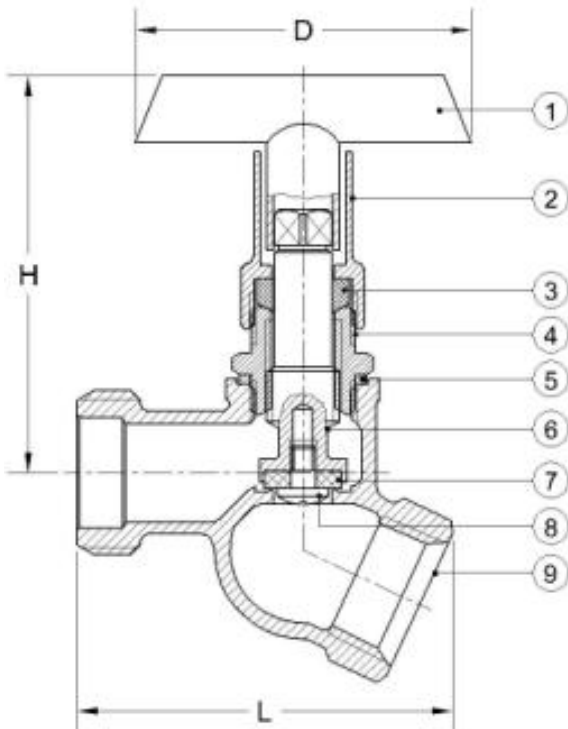


## FEATURES & BENEFITS

- Lead Free Brass\*
- Graphite Packing
- No Kink
- Loose Key Handle
- NSF 61.9
- Sizes 1/2" and 3/4"
- Replacement Keys Available

## DIMENSIONS

Part #	Size	D	H	L
AZ207TF3LKLF	1/2" FIP X 3/4" Hose	2.17	2.56	2.44
AZ207TF4LKLF	3/4" FIP X 3/4" Hose	2.17	2.56	2.50



## MATERIAL SPECIFICATIONS

No.	Part	Material
1	T Handle	Zinc
2	Packing Nut	Brass C89550
3	Gland Packing	Graphite
4	Bonnet	Brass C89550
5	Packing	Plastic
6	Stem	Brass C89550
7	Seat Packing	BUNA
8	Seat Screw	Stainless Steel 304/306
9	Body	Brass C89550

\* This product complies with 0.25% weighted average lead content on wetted surfaces in accordance with CA AB1953.

