

# AZ206TLK Aztec Sillcock • Spec Sheet

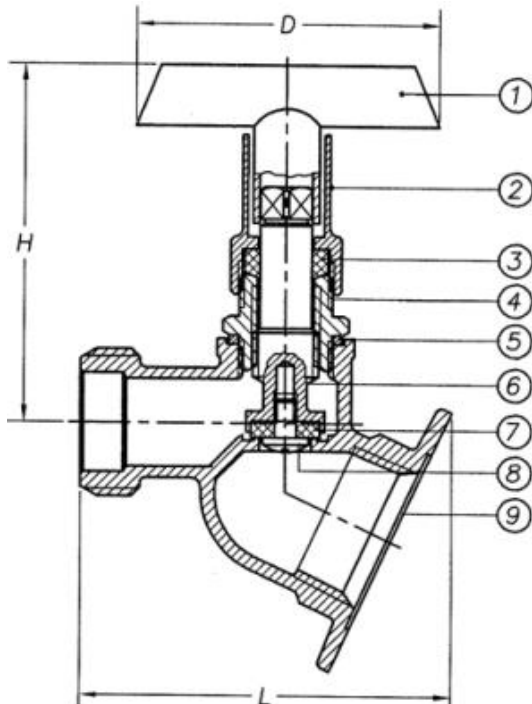


## FEATURES & BENEFITS

- Aztec Sillcock with Vacuum Breaker, Loose Key Valve
- Graphite Packing
- NSF 61.9
- Epoxy Coated Loose Key Handle
- Sizes 1/2" & 3/4" IPS

## DIMENSIONS

Part #	Size	L	H	D
AZ206T03LK	1/2"	2.76	2.48	2.17
AZ206T04LK	3/4"	2.76	2.48	2.17



## MATERIAL SPECIFICATIONS

No.	Part	Material
1	T-Handle	Zinc Z30A
2	Packing Nut	Brass B16 C36000
3	Gland Packing	Graphite
4	Bonnet	Brass B16 C36000
5	Packing	Plastic
6	Stem	Brass B16 C36000
7	Seat Packing	Rubber NBR
8	Seat Screw	Stainless Steel 304
9	Body	Brass B584 C85710

