

# AZ206TLKLF Aztec Sillcock • Spec Sheet



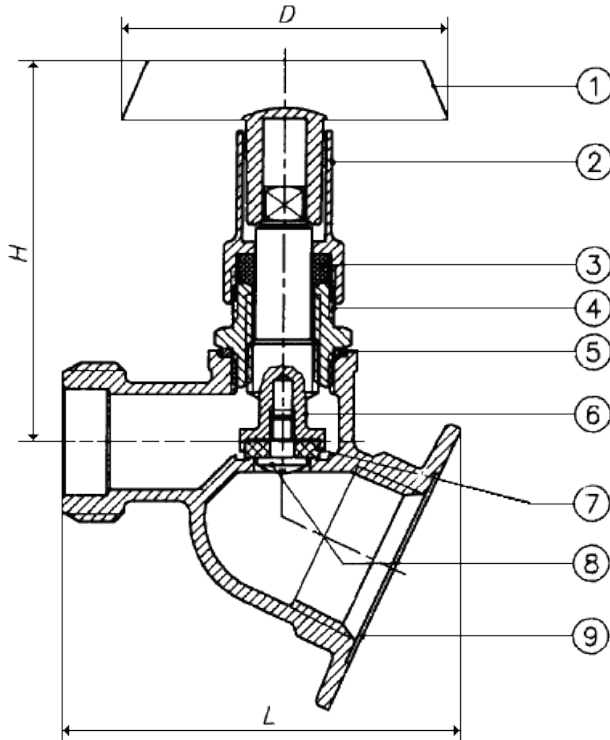
## FEATURES & BENEFITS

- Lead Free Brass\*
- With Vacuum Breaker
- Epoxy Coated Loose Key Handle
- Graphite Packing
- 125 WOG
- Temperature Rating 180° F
- 1/2"

**APPROVALS:** NSF/ANSI 61, CA Lead Plumbing Law, NSF 372, ASME A112.18.1-2005, CSA B125.1-2005, CSA B125.3-2005

## DIMENSIONS

Part #	Size	D	H	L
AZ206T03LKLF	1/2"	2.17	2.52	2.76



## MATERIAL SPECIFICATIONS

No.	Part	Material
1	T-Handle	Zinc Z30A
2	Packing Nut	Brass B16 C36000
3	Gland Packing	Graphite LK 33 NAFG
4	Bonnet	Brass C89550
5	Packing	Plastic POM M90
6	Stem	Brass C89550
7	Seat Packing	BUNA SN-719F
8	Seat Screw	Stainless Steel 304
9	Body	Brass C89550

\* These product complies with 0.25% weighted average lead content on wetted surfaces in accordance with Safe Water Drinking Act (SDWA) / Federal Public Law No. 111-380.



Global sourcing. National compliance. Local service.

**CALIFORNIA** 5593 Fresca Dr., La Palma CA 90623 • Toll Free: 866-532-8306 • Fax: 866-532-8307  
**TEXAS** 1150 Silber Rd., Houston TX 77055 • Toll Free: 800-935-5456 • Fax: 713-680-2999  
**NEW YORK** PO Box 27, Rt. 22, Brewster NY 10509 • Toll Free: 800-431-2082 • Fax: 845-278-9056  
 WEB: [www.matco-norca.com](http://www.matco-norca.com) EMAIL: [mail@matco-norca.com](mailto:mail@matco-norca.com)