

AZ206C034 Aztec Sillcock • Spec Sheet

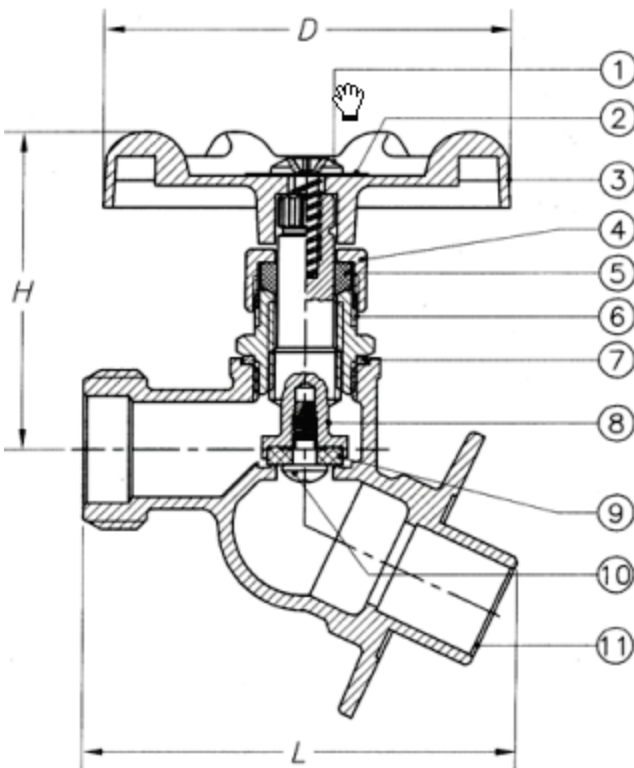


FEATURES & BENEFITS

- Sillcock with Stuffing Box - SWT
- Graphite Packing
- NSF 61.9
- Epoxy Coated Oval Handle
- 3/4" Cop Ftg & 1/2" Cop Swt

DIMENSIONS

Part #	Size	D	H	L
AZ206C034	3/4" Cop Ftg & 1/2" Cop Swt	2.44	2.21	2.88



MATERIAL SPECIFICATIONS

No.	Part	Material
1	Handle Bolt	Stainless Steel 304
2	Name Plate	Aluminum A1100
3	Ellipse Handle	Zinc (Z30A)
4	Packing Nut	Brass B16 C36000
5	Gland Packing	Graphite
6	Bonnet	Brass B16 C36000
7	Packing	POM M90
8	Stem	Brass B16 C36000
9	Seat Packing	Rubber (NBR)
10	Seat Screw	Stainless Steel 304
11	Body	Brass B584 C85710

MATCO-NORCA
 Global sourcing. National compliance. Local service.

CALIFORNIA 5593 Fresca Dr., La Palma CA 90623 • Toll Free: 866-532-8306 • Fax: 866-532-8307
TEXAS 1150 Silber Rd., Houston TX 77055 • Toll Free: 800-935-5456 • Fax: 713-680-2999
NEW YORK PO Box 27, Rt. 22, Brewster NY 10509 • Toll Free: 800-431-2082 • Fax: 845-278-9056
 WEB: www.matco-norca.com EMAIL: mail@matco-norca.com