

AZ205TFLF Aztec Boiler Drain • Spec Sheet

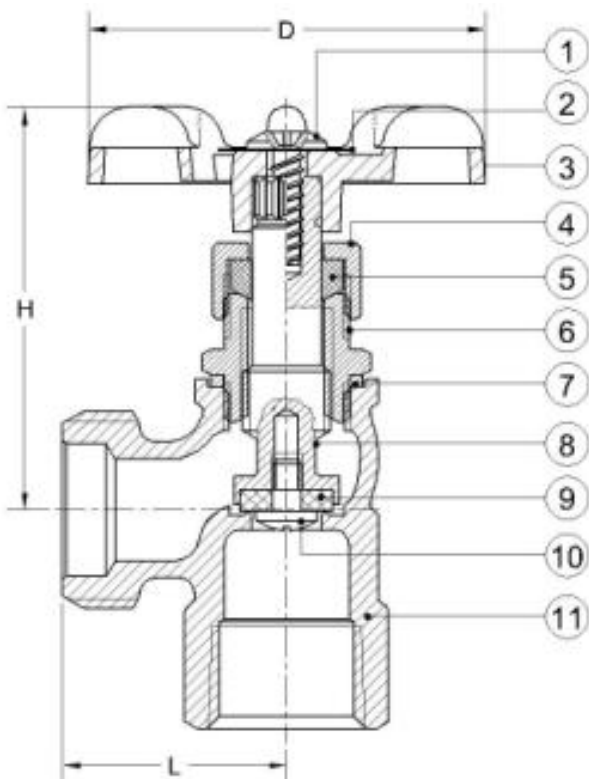


FEATURES & BENEFITS

- Lead Free Brass*
- Graphite Packing
- With Stuffing Box
- NSF 61.9
- Sizes 3/4"

DIMENSIONS

Part #	Size	D	H	L
AZ205TF4LF	3/4" FIP X 3/4" Hose	2.13	2.21	1.14



MATERIAL SPECIFICATIONS

No.	Part	Material
1	Handle Bolt	Stainless Steel 304/306
2	Name Plate	Aluminum
3	Handle Wheel	Zinc
4	Packing Nut	Brass C89550
5	Gland Packing	Graphite
6	Bonnet	Brass C89550
7	Packing	Plastic
8	Stem	Brass C89550
9	Seat Packing	BUNA
10	Seat Screw	Stainless Steel 304/306
11	Body	Brass C89550

* This product complies with 0.25% weighted average lead content on wetted surfaces in accordance with CA AB1953.

