

DIRECT MOUNT BALL VALVE PACKAGE DIMENSIONS

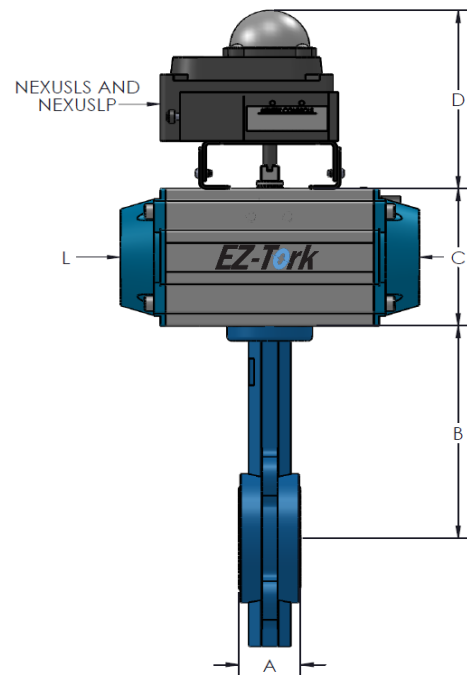
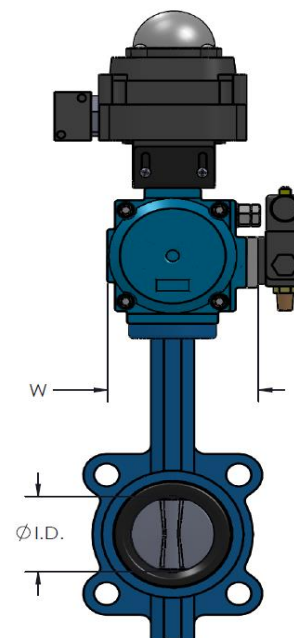
Use this document to develop envelope dimensions for direct mount ball valve packages.
 Dimensions are MAX to allow for tolerances and slight variations that may be necessary for actuator mounting.
 All dimensions are in inches.

SL9 Butterfly Valve Series (in.)

SIZE	ØI.D.	A	B
2"	2.09	1.69	5.51
2-1/2"	2.56	1.77	5.91
3"	3.11	1.77	6.22
4"	4.09	2.05	6.89
6"	6.10	2.20	8.31
8"	8.00	2.36	9.25
10"	9.86	2.68	10.43
12"	11.89	3.07	12.01

EZ-TORK Actuator Dimensions (in.)

MODEL	Actuator Code DA SR	L (Length)	W** (Width)	C (Height)
50	BNB -	6.06	2.78	2.76
65	CNB CDB	7.44	3.52	3.50
	-			
75	DNB DAB	8.27	4.04	3.94
	DDB			
85	EAB	9.02	4.43	4.45
	-			
95	FNB FAB	10.39	4.96	4.84
	FDB			
110	-	10.47	5.45	5.35
	-			
125	HNB HDB	13.27	6.18	6.34
	-			
140	INB IAB	14.84	7.01	7.01
	-			
160	JNB JAB	16.22	7.72	7.87
	JDB			
190	- KAB	19.21	8.52	9.13
	KDB			
210	- LAB	21.65	9.27	10.04
	LDB			

Side View:

Front View:

Options & Accessories

The tables to the right contain dimensions for top and side mounted accessories, represented by dimension "D" (Height) and "W" (Width).
 **D and W are defined at its maximum dimension.

Limit Switch	D** (in.)	Rating
SVF	(in.)	
NEXUSLS	5.0	NEMA 4
NEXUSLP	7.0	NEMA 4

Pilot Valve	Add to "W"
SVF	(in.)
Series PV	2.0