

DIRECT MOUNT BALL VALVE PACKAGE DIMENSIONS

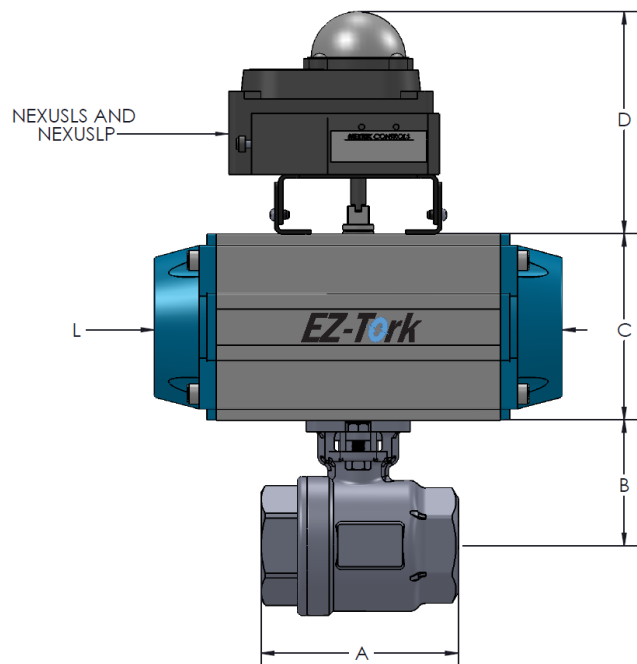
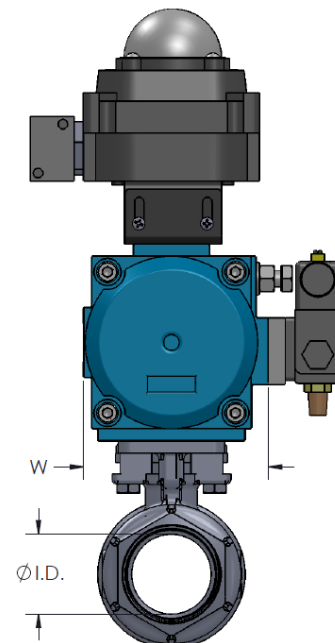
Use this document to develop envelope dimensions for direct mount ball valve packages.
 Dimensions are MAX to allow for tolerances and slight variations that may be necessary for actuator mounting.
 All dimensions are in inches.

BEV99 Ball Valve Series (in.)

| SIZE | ØI.D. | A | B |
|--------|-------|------|------|
| 1/2" | 0.59 | 2.28 | 1.67 |
| 3/4" | 0.78 | 2.63 | 1.80 |
| 1" | 0.98 | 3.07 | 2.20 |
| 1-1/2" | 1.50 | 4.09 | 3.00 |
| 2" | 1.979 | 4.96 | 3.27 |

EZ-TORK Actuator Dimensions (in.)

| MODEL | Actuator Code DA SR | L (Length) | W** (Width) | C (Height) |
|-------|------------------------|---------------|----------------|---------------|
| 50 | BNB | 6.06 | 2.78 | 2.76 |
| | - | | | |
| 65 | CNB | 7.44 | 3.52 | 3.50 |
| | CAB CDB | | | |
| 75 | DNB | 8.27 | 4.04 | 3.94 |
| | DAB - | | | |
| 85 | ENB | 9.02 | 4.43 | 4.45 |
| | EDB - | | | |
| 95 | FNB | 10.39 | 4.96 | 4.84 |
| | FAB FDB | | | |

Side View:

Front View:

Options & Accessories

The following tables contain dimensions for top and side mounted accessories, represented by dimension "D" (Height) and "W" (Width).

**D and W are defined at its maximum dimension.

| Limit Switch | D** | Rating |
|--------------|-------|--------|
| SVF | (in.) | |
| NEXUSLS | 5.0 | NEMA 4 |
| NEXUSLP | 7.0 | NEMA 4 |

| Pilot Valve | Add to "W" |
|-------------|------------|
| SVF | (in.) |
| Series PV | 2.0 |