

DIRECT MOUNT BALL VALVE PACKAGE DIMENSIONS

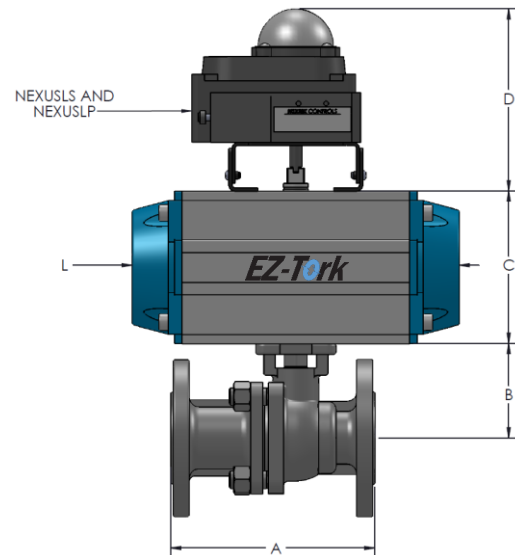
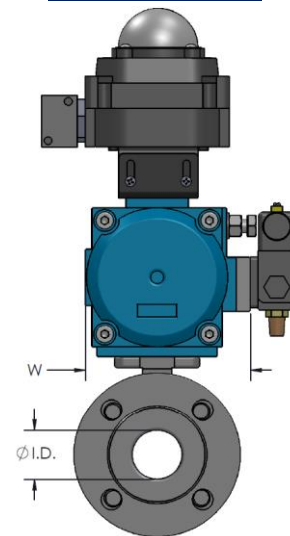
Use this document to develop envelope dimensions for direct mount ball valve packages.
 Dimensions are MAX to allow for tolerances and slight variations that may be necessary for actuator mounting.
 All dimensions are in inches.

B41C Ball Valve Series (in.)

SIZE	ØI.D.	A	B
1/2"	0.59	4.25	2.00
3/4"	0.79	4.62	2.20
1"	0.98	5.00	2.30
1-1/2"	1.50	6.50	3.00
2"	1.97	7.00	3.20
2-1/2"	2.48	7.50	4.00
3"	2.99	8.00	4.40
4"	3.94	9.00	5.60
6"	5.91	15.50	8.50
8"	7.87	18.00	9.68

EZ-TORK Actuator Dimensions (in.)

MODEL	Actuator Code DA	Code SR	L (Length)	W** (Width)	C (Height)
50	BNB	-	6.06	2.78	2.76
		BDB			
65	CNB	CAB	7.44	3.52	3.50
		CDB			
75	DNB	DAB	8.27	4.04	3.94
		DDB			
85	ENB	-	9.02	4.43	4.45
		EDB			
95	FNB	FAB	10.39	4.96	4.84
		FDB			
110	GNB	GAB	10.47	5.45	5.35
		-			
125	HNB	HAB	13.27	6.18	6.34
		HDB			
140	-	IAB	14.84	7.01	7.01
		IDB			
160	JNB	JAB	16.22	7.72	7.87
		JDB			
190	KNB	-	19.21	8.52	9.13
		-			
210	-	-	21.65	9.27	10.04
		LDB			
240	-	MAB	23.70	10.31	11.50
		MDB			

Side View:

Front View:

Options & Accessories

The tables to the right contain dimensions for top and side mounted accessories, represented by dimension "D" (Height) and "W" (Width).

**D and W are defined at its maximum dimension.

Limit Switch	D**	Rating
SVF	(in.)	
NEXUSLS	5.0	NEMA 4
NEXUSLP	7.0	NEMA 4

Pilot Valve	Add to "W"
SVF	(in.)
Series PV	2.0