

AVS Brass Air Steam Valve

Spec Sheet

FEATURES & BENEFITS

- Chrome Plated Steam Air Vents
- 10 PSI

Available Models/Sizes:

AVS-125: 1/8" Straight - MIP

AVS-250: 1/4" Straight - MIP

AVS-750: 3/4" MIP - 1/2" FIP Straight

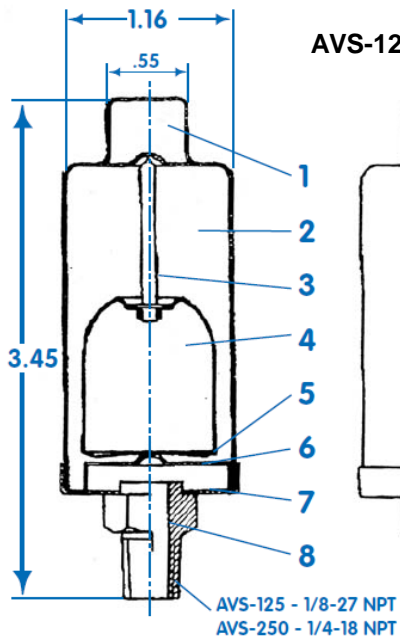


AVS-125 & AVS-250

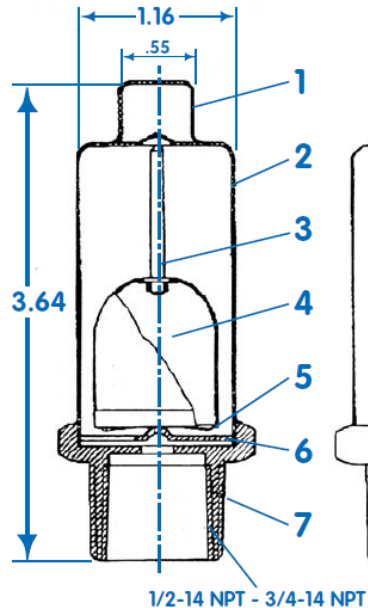
No.	Part	Material
1	Cap	Brass
2	Body	Brass
3	Needle	Brass
4	Ball	Brass
5	Spring	Brass
6	Support	Brass
7	Seat	Brass
8	Nut	Brass

AVS-750

No.	Part	Material
1	Cap	Brass
2	Body	Brass
3	Needle	Brass
4	Ball	Brass
5	Spring	Brass
6	Support	Brass
7	Seat	Brass



AVS-125 & AVS-250



AVS-750

MATCO
NORCA