

773 PVC Ball Valve - Single Union

Spec Sheet

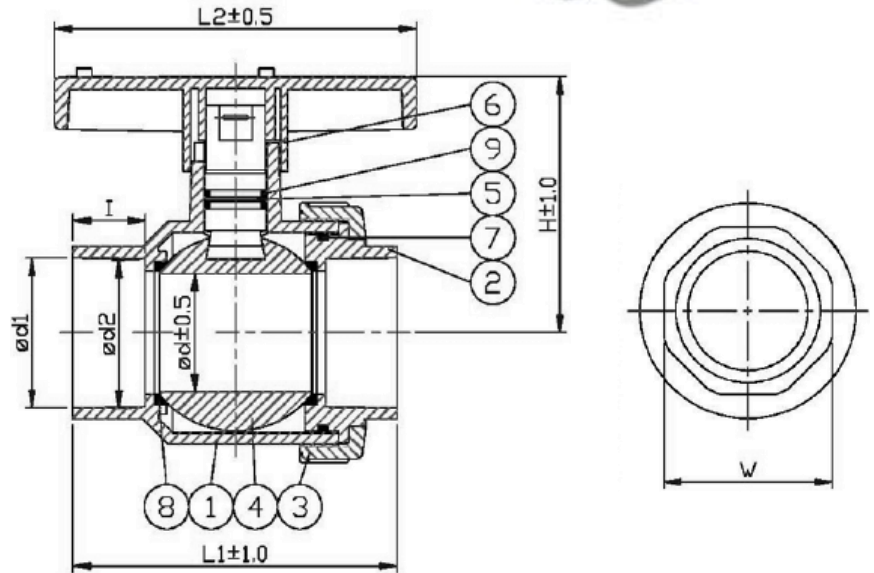
FEATURES & BENEFITS

- Single Union
- 150 PSI @ 73 Deg. F.
- White Color
- Full Port Ball
- Threaded or Solvent Ends
- Sizes 1-1/2" & 2"



MATERIAL SPECIFICATIONS

No.	Part	Material
1	Body	UPVC
2	End Connector	UPVC
3	Union Nut	UPVC
4	Ball	UPVC
5	Stem	UPVC
6	Handle	ABS
7	Union O-Ring	EPDM
8	Seat	EPDM
9	Stem O-Ring	EPDM



DIMENSIONS

Part #	Size	D	d	d1	d2	L1	L2	L3	H	I	W
773S07	1-1/2"	3.43	1.50	1.91	2.39	4.53	4.77	2.21	3.31	1.09	2.36
773T07	1-1/2"	3.43	1.50	1.91	2.39	4.53	4.77	2.21	3.31	1.09	2.36
773S08	2"	4.16	1.89	1.90	2.37	5.16	5.79	2.60	4.10	1.16	2.76
773T08	2"	4.16	1.89	1.90	2.37	5.16	5.79	2.60	4.10	1.16	2.76

