

772ST PVC Ball Valve - True Union • Spec Sheet



FEATURES & BENEFITS

- ISO-9002
- Full Port
- True Union
- 150 PSI @ 73 Deg. F.
- Sch. 80 PVC Body
- PTFE Seat Seals
- Supplied with Both Threaded & Solvent Ends
- Thread Ends Comply with NPT ANSI B2.1
- Solvent Ends Comply with ASTM D2467
- Unique Double Union / Double Block Design
- External Adjustment for Seat Wear
- Sizes 1/2" - 2"

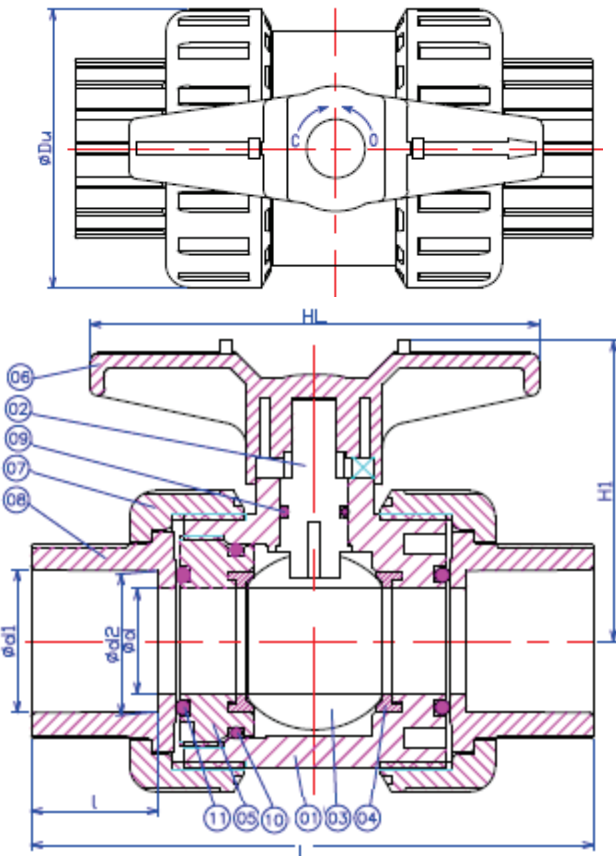
APPLICATIONS:
Waste Water, Mild Chemicals, Swimming Pools, and Water Treatment

DIMENSIONS

Size	L	Ød	Socket		I	H1	HL	Threaded	
			Ød1	Ød2				thd. /in	I1
1/2"	4.14	0.59	0.85	0.84	0.89	2.09	3.31	14	0.65
3/4"	4.61	0.79	1.06	1.05	1.02	2.40	3.55	14	0.65
1"	5.24	0.99	1.33	1.31	1.18	2.80	4.18	11.5	0.81
1-1/4"	5.79	1.26	1.67	1.66	1.26	3.25	4.57	11.5	0.85
1-1/2"	6.62	1.58	1.91	1.90	1.38	3.59	5.04	11.5	0.85
2"	7.09	1.97	2.39	2.37	1.58	4.33	5.52	11.5	0.90

MATERIAL SPECIFICATIONS

No	Part	Material
1	Body	PVC
2	Stem	PVC
3	Ball	PVC
4	Seat	PTFE
5	Threaded Spacer	PVS
6	Handle	ABS
7	Union Nut	PVC
8	Union End	PVC
9	Stem O-Ring	EPDM
10	Spacer Seal	EPDM
11	End Seal	EPDM



MATCO-NORCA
Global sourcing. National compliance. Local service.

CALIFORNIA 5593 Fresca Dr., La Palma CA 90623 • Toll Free: 866-532-8306 • Fax: 866-532-8307
TEXAS 1150 Silber Rd., Houston TX 77055 • Toll Free: 800-935-5456 • Fax: 713-680-2999
NEW YORK PO Box 27, Rt. 22, Brewster NY 10509 • Toll Free: 800-431-2082 • Fax: 845-278-9056
 WEB: www.matco-norca.com EMAIL: mail@matco-norca.com