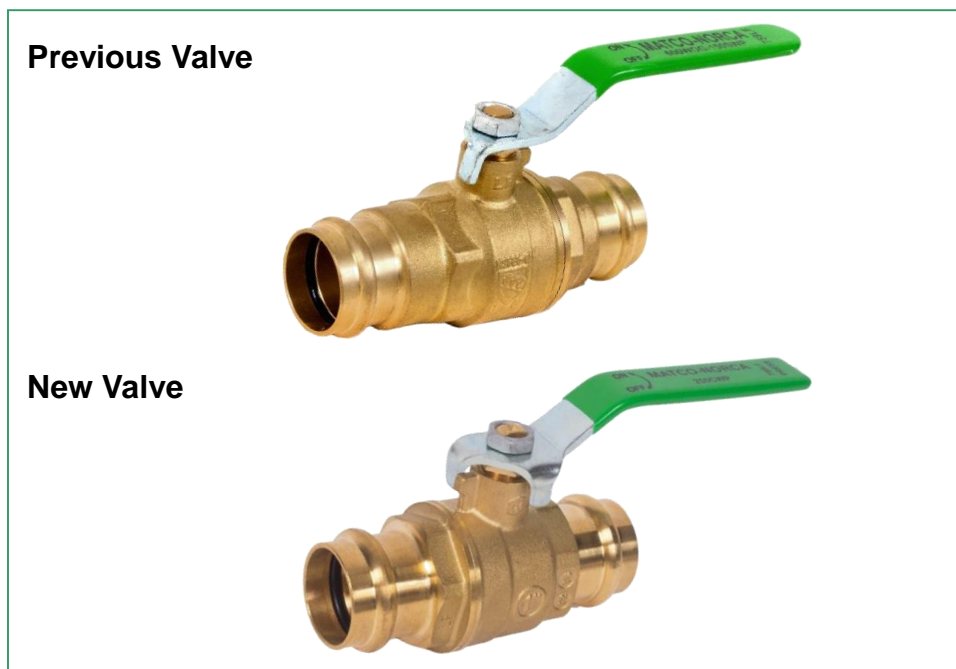


# NEW 759PLF Press Brass Ball Valve

## Matco-Norca's NEW 759PLF Press Ball Valve

Matco-Norca has upgraded our Press Ball Valve to feature leak prior to press technology. This new design incorporates a special EPDM o-ring that will allow water or air past the sealing element of any unpressed connection. Sizes range from 1/2" – 4" and are compliant with UPC, AB1953, NSF-61 and NSF-372.

You may continue to order our Press Ball Valves by using the current part numbers. Once the double o-ring inventory has been depleted, we will begin to ship the single o-ring valves. Please feel free to contact your local Matco-Norca representative or our customer service team at 1-800-431-2082 with any questions.



Please review next pages for detailed product specifications.



**Global sourcing. National compliance. Local service.**

**CALIFORNIA** 5595 Fresca Dr., La Palma CA 90623 • Phone: 866-532-8306 • Fax: 866-532-8307  
**TEXAS** 1150 Silber Rd., Houston TX 77055 • Phone: 800-935-5456 • Fax: 713-680-2999  
**ILLINOIS** 278 Windy Point Dr., Glendale Heights, IL 60139 • Phone: 844-412-5068 • Fax: 800-640-2252  
**GEORGIA** 113 Industrial Blvd., Americus, Georgia 31709 • Phone: 800-433-7526 • Fax: 800-533-5134  
**NEW YORK** PO Box 27, Rt.22, Brewster NY 10509 • Phone: 800-431-2082 • Fax: 845-278-9056  
WEB: [www.matco-norca.com](http://www.matco-norca.com) EMAIL: [mail@matco-norca.com](mailto:mail@matco-norca.com)

# 759PLF Press Brass Ball Valve • Spec Sheet



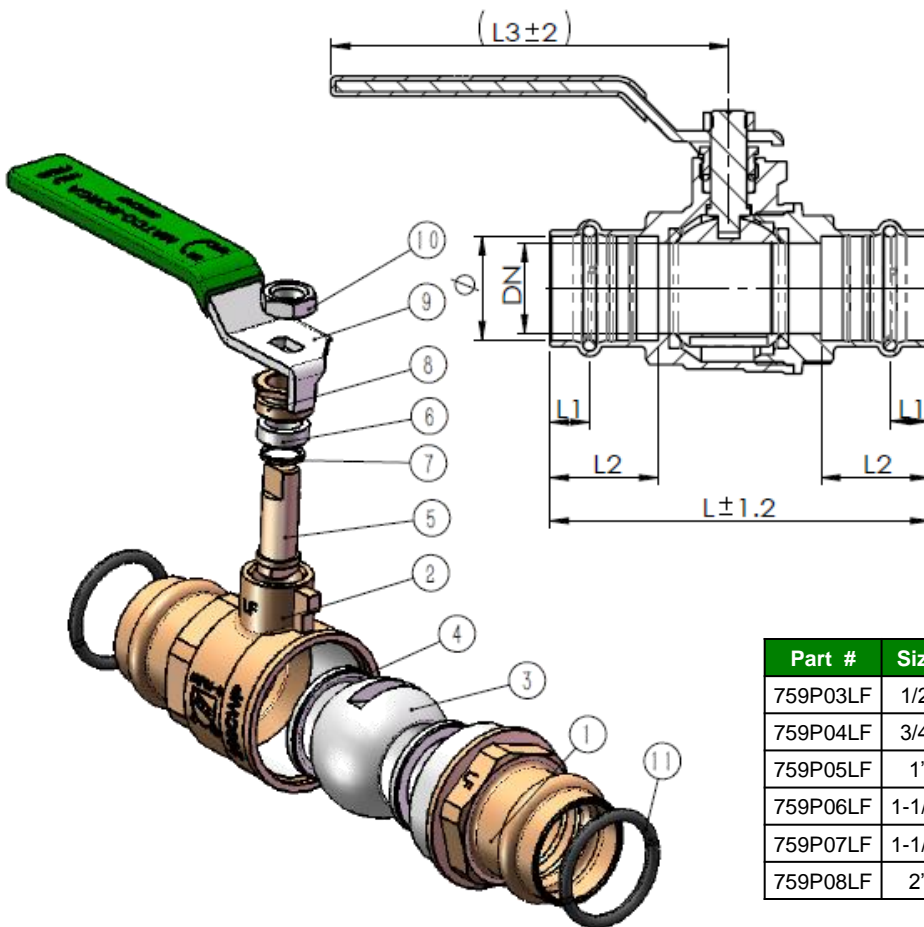
1/2" – 2"

## FEATURES & BENEFITS

- Lead Free Brass\*
- ISO-9002
- 600 WOG
- UPC & NSF-61 Compliant
- AB1953 & NSF-372 Compliant
- Full Port
- One O-Ring
- Leak Prior to Press
- Blow Out Proof Stem
- Sizes 1/2" – 4"

## MATERIAL SPECIFICATIONS

No.	Part	Material
1	Bonnet	Brass C46500
2	Body	Brass C46500
3	Ball	1/2"-1" C.P Brass C46500 1-1/4"-2" SS 301
4	Seat	PTFE
5	Stem	1/2"-1" Brass C46500 1-1/4"-2" Brass C36000
6	Packing Gland	PTFE
7	Sealing	PTFE
8	Packing Nut	Brass C86400
9	Handle	Steel
10	Hex Screw Cap	Steel
11	O-Ring	EPDM



## DIMENSIONS

Part #	Size	DN	Ø	L ±1.2	L1	L2	L3 ±2
759P03LF	1/2"	0.57	0.63	3.41	0.43	1.10	3.82
759P04LF	3/4"	0.75	0.89	3.86	0.43	1.18	3.82
759P05LF	1"	0.99	1.13	4.14	0.43	1.18	4.41
759P06LF	1-1/4"	1.26	1.39	4.59	0.43	1.18	5.20
759P07LF	1-1/2"	1.54	1.64	5.17	0.51	1.38	5.20
759P08LF	2"	1.97	2.14	6.01	0.63	1.58	6.44



Global sourcing. National compliance. Local service.

\*This product complies with 0.25% weighted average lead content on wetted surfaces in accordance with the Safe Drinking Water Act (SDWA) / Federal Public Law No. 111-380.

**CALIFORNIA** 5595 Fresca Dr., La Palma CA 90623  
**TEXAS** 1150 Silber Rd., Houston TX 77055  
**ILLINOIS** 278 Windy Point Dr., Glendale Heights, IL 60139  
**GEORGIA** 113 Industrial Blvd., Americus, Georgia 31709  
**NEW YORK** PO Box 27, Rt.22, Brewster NY 10509  
 WEB: [www.matco-norca.com](http://www.matco-norca.com)

• Phone: 866-532-8306 • Fax: 866-532-8307  
 • Phone: 800-935-5456 • Fax: 713-680-2999  
 • Phone: 844-412-5068 • Fax: 800-640-2252  
 • Phone: 800-433-7526 • Fax: 800-533-5134  
 • Phone: 800-431-2082 • Fax: 845-278-9056  
 EMAIL: [mail@matco-norca.com](mailto:mail@matco-norca.com)

# 759PLF Press Brass Ball Valve • Spec Sheet



2-1/2" – 4"

## FEATURES & BENEFITS

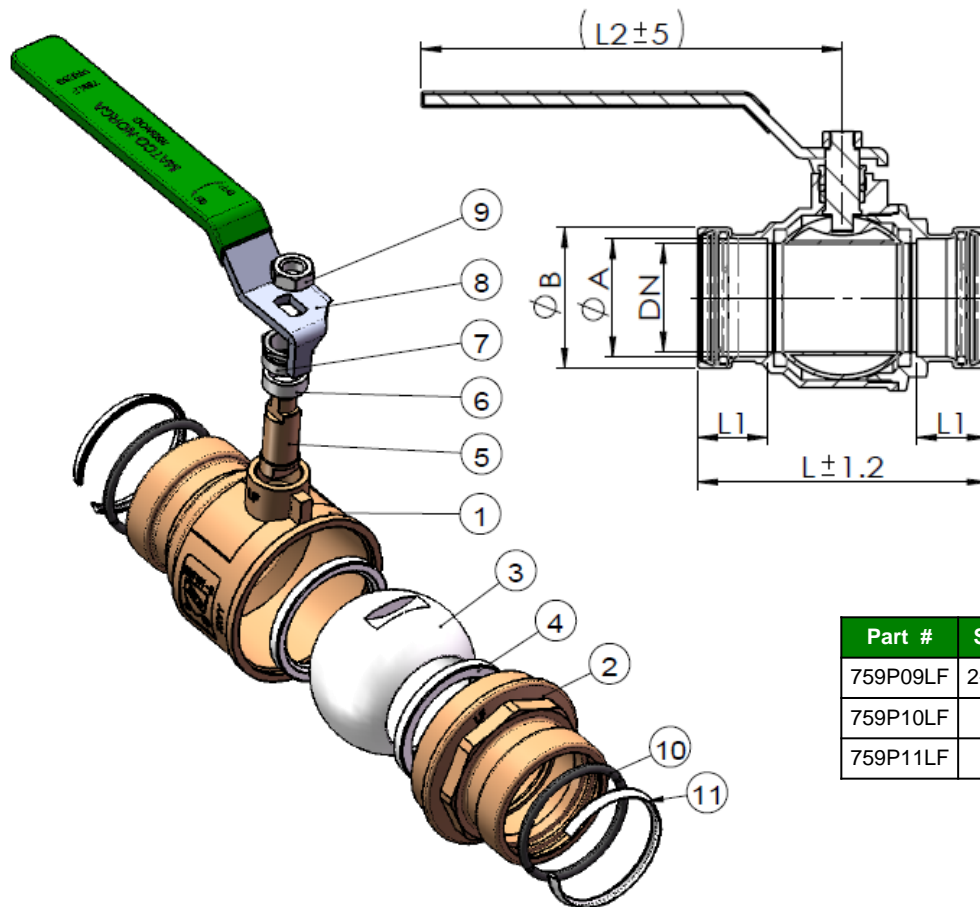
- Lead Free Brass\*
- ISO-9002
- 250 WOG – 250 CWP
- UPC & NSF-61 Compliant
- AB195 & NSF-372 Compliant
- Full Port
- One O-Ring
- Leak Prior to Press
- Blow Out Proof Stem
- Sizes 1/2" – 4"

## MATERIAL SPECIFICATIONS

No.	Part	Material
1	Body	Brass C46500
2	Bonnet	Brass C46500
3	Ball	Stainless Steel 304
4	Seat	PTFE
5	Stem	Stainless Steel 304
6	Packing Gland	PTFE
7	Packing Nut	Brass C86400
8	Handle	Steel Q235
9	Hex Screw Cap	Steel Q235
10	O-Ring	EPDM
11	Comp Ring	Steel 215

## DIMENSIONS

Part #	Size	DN	A	B	L±1.2	L1	L2±5
759P09LF	2-1/2"	2.42	2.64	3.15	6.50	1.58	9.46
759P10LF	3"	2.90	3.14	3.66	7.69	1.77	9.46
759P11LF	4"	3.84	4.14	4.69	9.11	2.13	9.46



Global sourcing. National compliance. Local service.

\*This product complies with 0.25% weighted average lead content on wetted surfaces in accordance with the Safe Drinking Water Act (SDWA) / Federal Public Law No. 111-380.

**CALIFORNIA** 5595 Fresca Dr., La Palma CA 90623  
**TEXAS** 1150 Silber Rd., Houston TX 77055  
**ILLINOIS** 278 Windy Point Dr., Glendale Heights, IL 60139  
**GEORGIA** 113 Industrial Blvd., Americus, Georgia 31709  
**NEW YORK** PO Box 27, Rt.22, Brewster NY 10509  
 WEB: [www.matco-norca.com](http://www.matco-norca.com)

• Phone: 866-532-8306 • Fax: 866-532-8307  
 • Phone: 800-935-5456 • Fax: 713-680-2999  
 • Phone: 844-412-5068 • Fax: 800-640-2252  
 • Phone: 800-433-7526 • Fax: 800-533-5134  
 • Phone: 800-431-2082 • Fax: 845-278-9056  
 EMAIL: [mail@matco-norca.com](mailto:mail@matco-norca.com)