

759MF Ball Valve • Spec Sheet

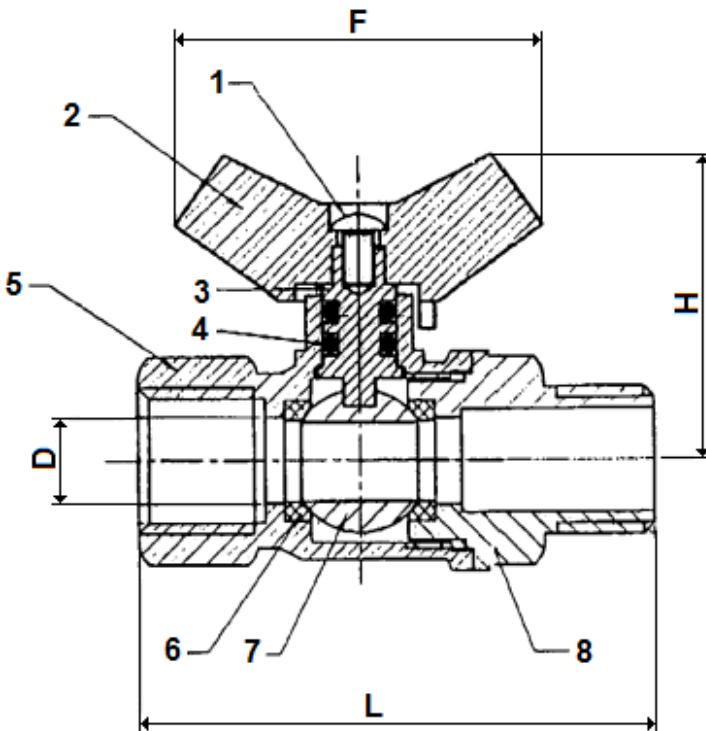


FEATURES & BENEFITS

- ISO-9001
- 600 WOG
- Full Port
- Ball Valve with Tee Handle
- MIP x FIP

DIMENSIONS

Part #	Size	L	H	F	D
759MF01T	1/4"	1.81	1.10	1.34	Ø0.30
759MF00T	1/8"	1.81	1.10	1.34	Ø0.30
759MF0001T	1/8" x 1/4"	1.81	1.10	1.34	Ø0.30



MATERIAL SPECIFICATIONS

No.	Part	Material
1	Screw	Zinc Plated Steel
2	Handle	Aluminum Alloy
3	Stem	Brass C37700
4	O-Ring	NBR
5	Body	Brass C37700
6	Seat	PTFE
7	Ball	Brass C37700
8	End Cap	Brass C37700


MATCO-NORCA
 Global sourcing. National compliance. Local service.

CALIFORNIA 5593 Fresca Dr., La Palma CA 90623 • Toll Free: 866-532-8306 • Fax: 866-532-8307
TEXAS 1150 Silber Rd., Houston TX 77055 • Toll Free: 800-935-5456 • Fax: 713-680-2999
NEW YORK PO Box 27, Rt. 22, Brewster NY 10509 • Toll Free: 800-431-2082 • Fax: 845-278-9056
 WEB: www.matco-norca.com EMAIL: mail@matco-norca.com