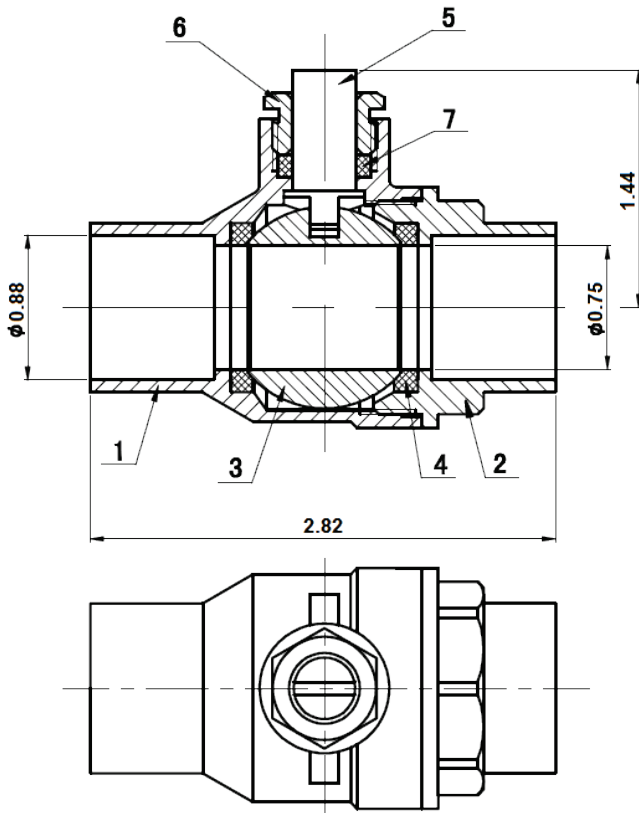


759C04SDSLF Balancing Valve • Spec Sheet



FEATURES & BENEFITS

- Lead Free Brass*
- Ball Style Balancing Valve
- 3/4" Copper X Copper
- Screwdriver Stop
- 600 WOG



MATERIAL SPECIFICATIONS

No.	Part	Material
1	Body	Lead Free Brass
2	End Cap	Lead Free Brass
3	Ball	Lead Free Brass
4	Seat	PTFE
5	Stem	Lead Free Brass
6	Gland Nut	Lead Free Brass
7	Stem Packing	PTFE

* These product complies with 0.25% weighted average lead content on wetted surfaces in accordance with Safe Water Drinking Act (SDWA) / Federal Public Law No. 111-380.



Global sourcing. National compliance. Local service.

CALIFORNIA 5593 Fresca Dr., La Palma CA 90623 • Toll Free: 866-532-8306 • Fax: 866-532-8307
TEXAS 1150 Silber Rd., Houston TX 77055 • Toll Free: 800-935-5456 • Fax: 713-680-2999
NEW YORK PO Box 27, Rt. 22, Brewster NY 10509 • Toll Free: 800-431-2082 • Fax: 845-278-9056
 WEB: www.matco-norca.com EMAIL: mail@matco-norca.com