

758T Brass Ball Valve • Spec Sheet

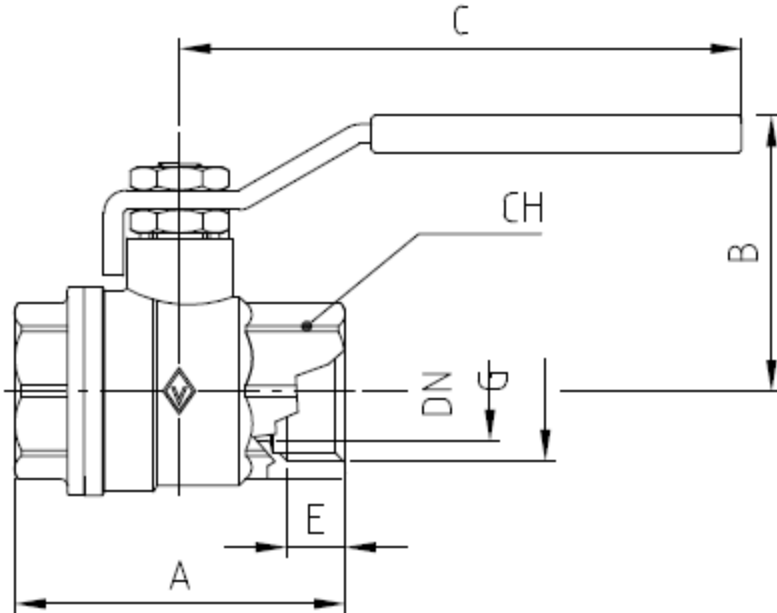


FEATURES & BENEFITS

- IPS (Threaded Ends)
- 600 WOG - 150 WSP (1/4" - 2")
- 400 WOG - 150 WSP (2-1/4" - 4")
- Forged Brass Full Port
- Made in Italy
- Sizes 1/4" - 4"

DIMENSIONS

Part #	Size (G - DN)	A	B	C	E	CH
758T01	1/4"	1.65	1.47	3.26	0.43	0.66
758T02	3/8"	1.73	1.47	3.26	0.45	0.82
758T03	1/2"	1.96	1.59	3.26	0.49	0.98
758T04	3/4"	2.28	1.71	3.26	0.57	1.22
758T05	1"	2.69	2.09	4.60	0.64	1.49
758T06	1-1/2"	3.18	2.30	4.60	0.70	1.88
758T07	1-1/4"	3.70	2.97	6.29	0.74	2.12
758T08	2"	4.25	3.25	6.29	0.82	2.63
758T09	2-1/2"	5.94	4.19	7.48	1.06	3.30
758T10	3"	6.85	5.49	8.85	1.14	3.89
758T11	4"	7.67	5.91	8.85	1.22	4.80



MATERIAL SPECIFICATIONS

No.	Part	Material
1	Body	CW617N Forged Brass
2	End Connection	CW617N Forged Brass
3	Ball	CW617N CP Brass
4	Ball Seals	PTFE
5	Stem	CW617N Brass
6	O-Ring	NBR 70 Sh
7	Handle	UNI En 10025 Steel
8	Nut	UNI 5771 Steel
9	Brass Ring	CW617N Brass
10	Upper Stem Seal	PTFE
11	Lower Stem Seal	PTFE



MATCO-NORCA

Global sourcing. National compliance. Local service.

CALIFORNIA 5593 Fresca Dr., La Palma CA 90623 • Toll Free: 866-532-8306 • Fax: 866-532-8307
TEXAS 1150 Silber Rd., Houston TX 77055 • Toll Free: 800-935-5456 • Fax: 713-680-2999
NEW YORK PO Box 27, Rt. 22, Brewster NY 10509 • Toll Free: 800-431-2082 • Fax: 845-278-9056
 WEB: www.matco-norca.com EMAIL: mail@matco-norca.com

758C Brass Ball Valve • Spec Sheet



FEATURES & BENEFITS

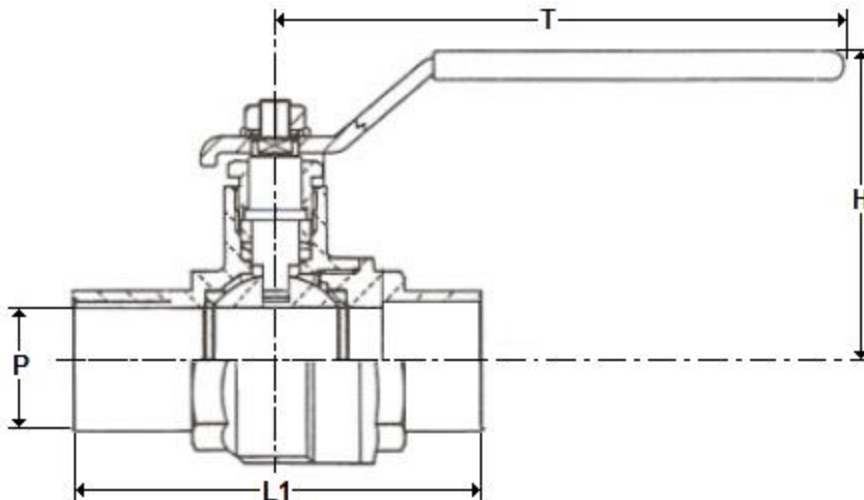
- C X C (Sweat Ends)
- 600 WOG - 150 WSP
- Forged Brass Full Port
- Sweat Ends Meet ANSI B.16.18
- Made in Italy
- Sizes 1/2" - 2"

DIMENSIONS

Part #	Size	P	T	H	L1
758C03	1/2"	0.59	3.34	1.80	2.26
758C04	3/4"	0.79	4.35	2.29	3.11
758C05	1"	0.99	4.35	2.44	3.82
758C06	1-1/2"	1.26	5.50	3.03	3.90
758C07	1-1/4"	1.57	5.50	3.29	4.54
758C08	2"	1.97	5.50	3.57	5.46

MATERIAL SPECIFICATIONS

No.	Part	Material
1	Body	Forged Brass B124-C3700
2	Seat	PTFE
3	Ball	Brass (Chrome Plated) B124-C3700
4	Handle Nut	Brass B124-C3700
5	Stem	Brass B124-C3700
6	Handle	Steel A283-D
7	Stem Gland	Brass B124-C3700
8	Gland	Brass B124-C3700
9	Stem Seal	PTFE
10	End Plug	Forged Brass B124-C3700



 **MATCO-NORCA**
Global sourcing. National compliance. Local service.

CALIFORNIA 5593 Fresca Dr., La Palma CA 90623 • Toll Free: 866-532-8306 • Fax: 866-532-8307
TEXAS 1150 Silber Rd., Houston TX 77055 • Toll Free: 800-935-5456 • Fax: 713-680-2999
NEW YORK PO Box 27, Rt. 22, Brewster NY 10509 • Toll Free: 800-431-2082 • Fax: 845-278-9056
 WEB: www.matco-norca.com EMAIL: mail@matco-norca.com