

757TLF Ball Valve • Spec Sheet

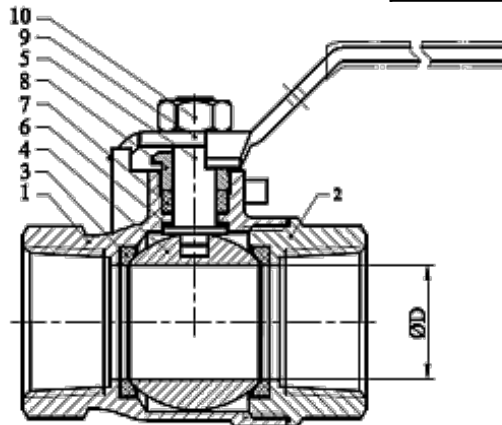
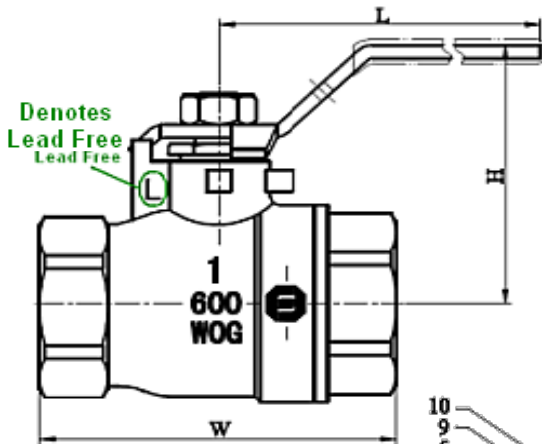


FEATURES & BENEFITS

- Lead Free Forged Brass*
- 600 WOG - 150 SWP
- Full Port
- Blow Out Proof Stem
- Threaded Ends Comply with ASME B1.20.1
- Conforms to MSS-SP-110 Specifications
- ISO-9001
- UPC, UL/FM, NSF Approved
- CSA Approved
 - ANSI Z21.15 (½ psi) (CSA 9.1) (1/4" – 2")
 - ASME B16.44 (5 psi) (CR91-002) (1/4" – 2")
 - ASME B16.33 (125 psi) (CGA 3.16) (1/2" – 2")
- Sizes 1/4" - 2"

DIMENSIONS

Part #	Size	ØD ± 0.15	H	L	W ± 1
757T01LF	1/4"	0.37	1.37	3.23	1.81
757T02LF	3/8"	0.37	1.37	3.23	1.81
757T03LF	1/2"	0.50	1.45	3.23	2.12
757T04LF	3/4"	0.75	1.77	3.94	2.42
757T05LF	1"	0.99	2.27	4.73	2.96
757T06LF	1-1/4"	1.20	2.43	4.73	3.29
757T07LF	1-1/2"	1.50	2.95	6.30	3.67
757T08LF	2"	1.97	3.40	6.30	4.22



MATERIAL SPECIFICATIONS

No.	Part	Material
1	Body	Brass C37700
2	End Cap	Brass C37700
3	Seat	PTFE
4	Ball	Brass C37700
5	Stem	Brass C36000
6	Thrust Washer	PTFE
7	Stem Packing	PTFE
8	Gland	Brass C36000
9	Handle	Carbon Steel
10	Nut	Stainless Steel

* These product complies with 0.25% weighted average lead content on wetted surfaces in accordance with Safe Water Drinking Act (SDWA) / Federal Public Law No. 111-380.



CALIFORNIA 5595 Fresca Dr., La Palma CA 90623
TEXAS 1150 Silber Rd., Houston TX 77055
ILLINOIS 278 Windy Point Dr., Glendale Heights, IL 60139
GEORGIA 113 Industrial Blvd., Americus, Georgia 31709
NEW YORK PO Box 27, Rt.22, Brewster NY 10509
 WEB: www.matco-norca.com

• Phone: 866-532-8306 • Fax: 866-532-8307
 • Phone: 800-935-5456 • Fax: 713-680-2999
 • Phone: 844-412-5068 • Fax: 800-640-2252
 • Phone: 800-433-7526 • Fax: 800-533-5134
 • Phone: 800-431-2082 • Fax: 845-278-9056
 EMAIL: mail@matco-norca.com