

757T Ball Valve • Spec Sheet

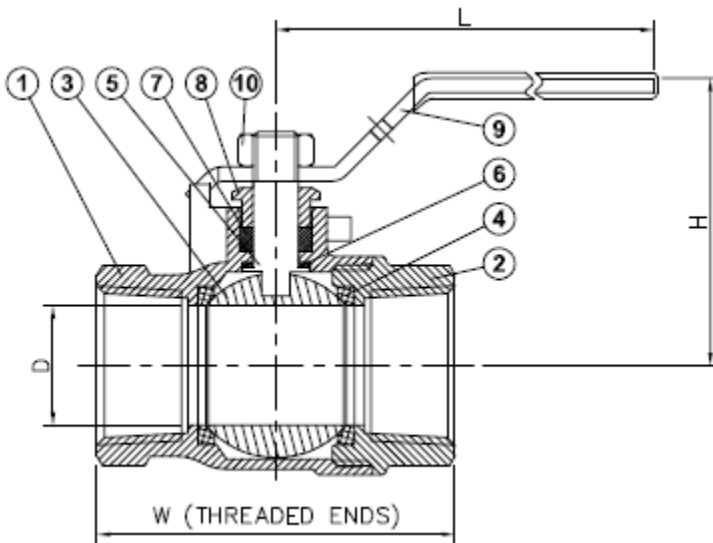


FEATURES & BENEFITS

- 600 WOG / 150 SWP
- Full Port
- Blow Out Proof Stem
- PTFE Seats
- CSA & UL/FM Approved
- Threaded Ends Comply with ANSI B2.1
- Conforms to MSS-SP-110 Specifications
- Sizes 1/4" – 2"

DIMENSIONS

Part #	Size	D	W	H	L
757T01	1/4"	0.37	1.81	1.37	3.23
757T02	3/8"	0.37	1.81	1.37	3.23
757T03	1/2"	0.50	2.12	1.45	3.23
757T04	3/4"	0.75	2.41	1.78	3.94
757T05	1"	0.98	2.96	2.29	4.72
757T06	1-1/4"	1.22	3.28	2.44	4.72
757T07	1-1/2"	1.50	3.67	3.00	7.09
757T08	2"	1.97	4.21	3.30	7.09



MATERIAL SPECIFICATIONS

No.	Part	Material
1	Body	Forged Brass
2	End Cap	Forged Brass
3	Ball	Copper Alloy, Chrome Plated
4	Seat	PTFE
5	Stem	Copper Alloy
6	Thrust Washer	PTFE
7	Packing	PTFE
8	Gland	Copper Alloy
9	Handle	Carbon Steel Plated
10	Nut	Carbon Steel Plated

