

# 755MFLF & 755MFZLF Ball Valve • Spec Sheet



## FEATURES & BENEFITS

### 755MFLF

- Lead Free Bronze\*
- 600 WOG - 150 SWP
- Male X Female Test Cock
- With Lever Handle
- Threaded Ends Comply W/ ASME B1.20.1
- ISO-9002
- Sizes 1/8" - 1/4"

### 755MFZLF

- Same As Above With Slot Screw

## PART NUMBERS & SIZES

Part No.	Size
<b>Male X Female With Lever Handle</b>	
755MF00LF	1/8" X 1/8"
755MF0LF	1/8" X 1/4"
755MF1LF	1/4" X 1/4"
<b>Male X Female With Slot Screw</b>	
755MFZ0LF	1/8" X 1/4"
755MFZ1LF	1/4" X 1/4"

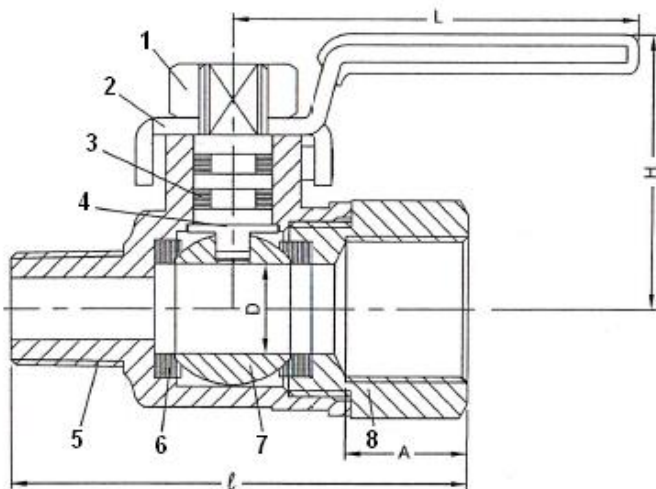
## DIMENSIONS

Size	ℓ	H	D	L	A
1/8"	1.60	0.91	0.30	1.42	0.43
1/4"	160	0.91	0.30	1.42	0.43

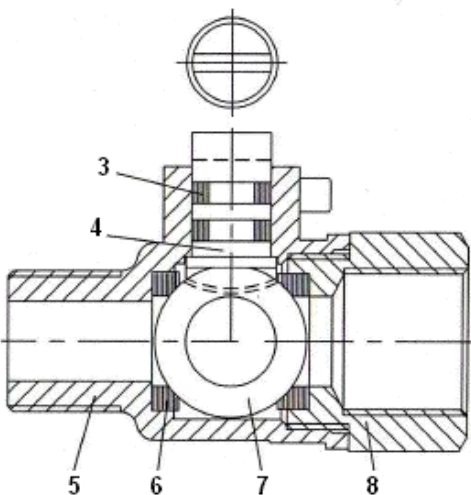
## MATERIAL SPECIFICATIONS

No.	Part	Material
1	Nut	Steel
2	Handle	Steel
3	O-Ring	Rubber
4	Stem	Brass C6802
5	Body	Bronze C89836
6	Seat	PTFE
7	Ball Disc	Brass C6802
8	End Plug	Brass C6802

\* This product complies with 0.25% weighted average lead content on wetted surfaces in accordance with Safe Water Drinking Act (SDWA) / Federal Public Law No. 111-380.



With Lever Handle



With Slot Screw



Global sourcing. National compliance. Local service.

**CALIFORNIA** 5595 Fresca Dr., La Palma CA 90623  
**TEXAS** 1150 Silber Rd., Houston TX 77055  
**ILLINOIS** 278 Windy Point Dr., Glendale Heights, IL 60139  
**GEORGIA** 113 Industrial Blvd., Americus, Georgia 31709  
**NEW YORK** PO Box 27, Rt.22, Brewster NY 10509  
 WEB: [www.matco-norca.com](http://www.matco-norca.com)

• Phone: 866-532-8306 • Fax: 866-532-8307  
 • Phone: 800-935-5456 • Fax: 713-680-2999  
 • Phone: 844-412-5068 • Fax: 800-640-2252  
 • Phone: 800-433-7526 • Fax: 800-533-5134  
 • Phone: 800-431-2082 • Fax: 845-278-9056  
 EMAIL: [mail@matco-norca.com](mailto:mail@matco-norca.com)