

# 755MF Bronze Ball Valve • Spec Sheet



## FEATURES & BENEFITS

- ISO-9002
- 600 WOG - 150 SWP
- Bronze Body
- Male X Female Test Cock
- Lever Handle
- Threaded Ends Comply w/ ASME B1.20.1
- Sizes 1/8" - 1/4"

## 755MFZ

- Same As Above With Slot Screw

## DIMENSIONS

| Size        | L    | D   | H   |
|-------------|------|-----|-----|
| 1/4" x 1/4" | 1.85 | .28 | .71 |
| 1/8" x 1/4" | 1.81 | .28 | .71 |

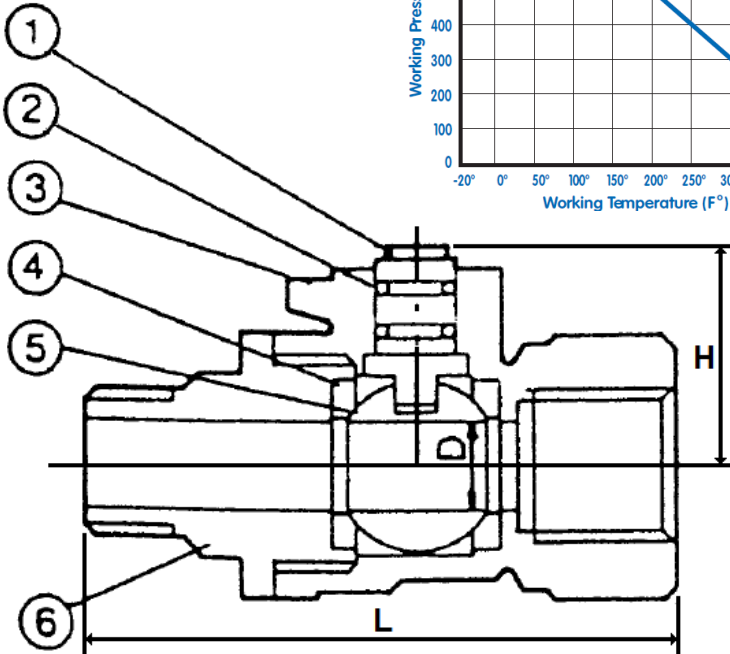
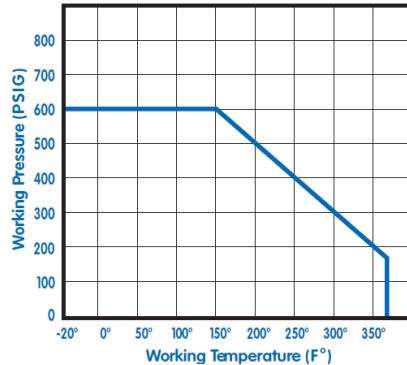
## Part Number & Sizes

| Part #                          | Size        |
|---------------------------------|-------------|
| Male x Female With Lever Handle |             |
| 755MF00                         | 1/8" x 1/8" |
| 755MF0                          | 1/8" x 1/4" |
| 755MF1                          | 1/4" x 1/4" |
| With Slot For Screw Driver      |             |
| 755MFZ0                         | 1/8" x 1/4" |
| 755MFZ1                         | 1/4" x 1/4" |

## MATERIAL SPECIFICATIONS

| No. | Part    | Material  |
|-----|---------|-----------|
| 1   | Stem    | Brass     |
| 2   | O-Ring  | NBR       |
| 3   | Body    | Bronze    |
| 4   | Seat    | PTFE      |
| 5   | Ball    | C.P Brass |
| 6   | End Cap | Bronze    |

Pressure Temperature Ratings



**MATCO-NORCA**

Global sourcing. National compliance. Local service.

**CALIFORNIA** 5595 Fresca Dr., La Palma CA 90623  
**TEXAS** 1150 Silber Rd., Houston TX 77055  
**ILLINOIS** 278 Windy Point Dr., Glendale Heights, IL 60139  
**GEORGIA** 113 Industrial Blvd., Americus, Georgia 31709  
**NEW YORK** PO Box 27, Rt.22, Brewster NY 10509  
 WEB: [www.matco-norca.com](http://www.matco-norca.com)

• Phone: 866-532-8306 • Fax: 866-532-8307  
 • Phone: 800-935-5456 • Fax: 713-680-2999  
 • Phone: 844-412-5068 • Fax: 800-640-2252  
 • Phone: 800-433-7526 • Fax: 800-533-5134  
 • Phone: 800-431-2082 • Fax: 845-278-9056  
 EMAIL: [mail@matco-norca.com](mailto:mail@matco-norca.com)