

# 755 Full Port Ball Valve • Spec Sheet

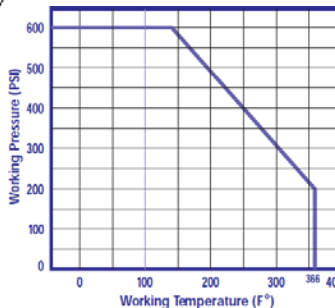
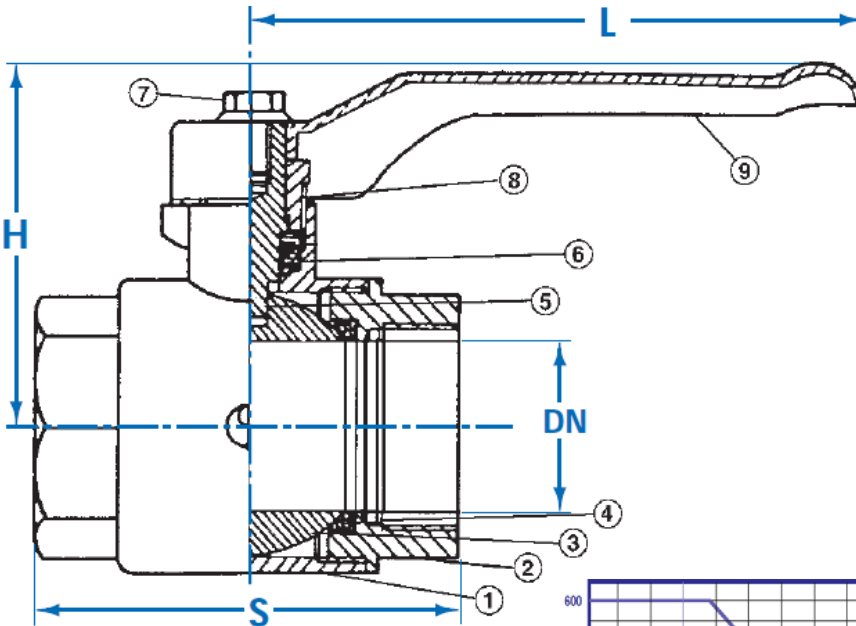


## FEATURES & BENEFITS

- ISO-9002
- 600 WOG - 150 SWP
- Full Port
- 400 WOG for 2 1/2" - 4"
- CSA, UL/FM Certified 1/2" - 2"
- Heavy Duty Forged Brass Body
- Nickel Plated a Exterior
- Blow Out Proof Stem
- Threaded Ends Comply w/ ANSI B2.1
- Conforms to MSS-SP-110 Specifications
- Sizes 1/4" - 4"

## DIMENSIONS

Size	Part #	DN	S	H	L
1/4"	755T01	.39	1.81	1.26	3.15
3/8"	755T02	.39	1.81	1.26	3.15
1/2"	755T03	.59	2.36	1.65	3.54
3/4"	755T04	.79	2.68	1.77	3.54
1"	755T05	.98	3.15	2.13	4.92
1-1/4"	755T06	1.22	3.54	2.32	4.92
1-1/2"	755T07	1.54	3.90	2.76	5.51
2"	755T08	1.93	4.45	3.07	5.51
2-1/2"	755T09	2.40	5.55	4.29	10.24
3"	755T10	2.91	6.26	4.65	10.24
4"	755T11	3.74	7.68	5.12	10.24



## MATERIAL SPECIFICATIONS

No.	Part	Material
1	Body	Forged Brass B124-C37700
2	End Plug	Forged Brass B124-C37700
3	Seat	PTFE
4	Ball	C.P Brass B124-C37700
5	Stem	Brass B16-C36000
6	Stem Packing	PTFE
7	Stem Gland	Brass B16-C36000
8	Handle	Steel A283-D
9	Nut	Brass B16-C36000



**MATCO-NORCA**

Global sourcing. National compliance. Local service.

**CALIFORNIA** 5593 Fresca Dr., La Palma CA 90623 • Toll Free: 866-532-8306 • Fax: 866-532-8307  
**TEXAS** 1150 Silber Rd., Houston TX 77055 • Toll Free: 800-935-5456 • Fax: 713-680-2999  
**NEW YORK** PO Box 27, Rt. 22, Brewster NY 10509 • Toll Free: 800-431-2082 • Fax: 845-278-9056  
 WEB: [www.matco-norca.com](http://www.matco-norca.com) EMAIL: [mail@matco-norca.com](mailto:mail@matco-norca.com)