

# 754PXTLF PEX Ball Valve With Tee Handle

## Specification Sheet

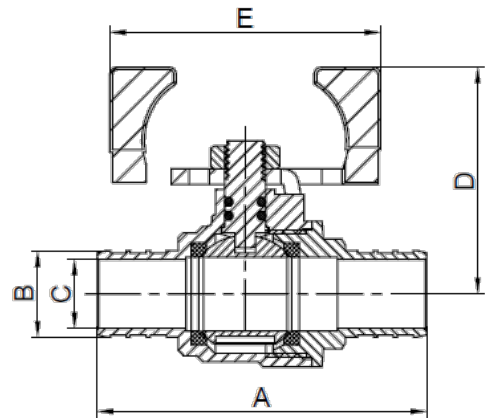
### FEATURES & BENEFITS

- Lead Free Brass
- 600 WOG
- Full Port
- NSF-372 Certified
- PEX Ends
- With Tee Handle
- Two Piece Body
- Double O-Ring
- Sizes 1/2" - 1"



### DIMENSIONS

Part #	Size	A	B	C	D	E
754PX03TLF	1/2"	2.36	0.47	0.35	1.59	2.08
754PX04TLF	3/4"	2.54	0.67	0.53	1.75	2.08
754PX05TLF	1"	3.12	0.86	0.72	2.01	2.56



### MATERIAL SPECIFICATIONS

No.	Part	Qty	Material
1	Body	1	Brass C46500
2	Seat Ring	2	PTFE
3	Ball	1	Brass LF
4	Bonnet	1	Brass C46500
5	Stem	1	Brass LF
6	O-Ring	2	NBR
7	Handle	1	Steel FE
8	Nut	1	Steel FE

