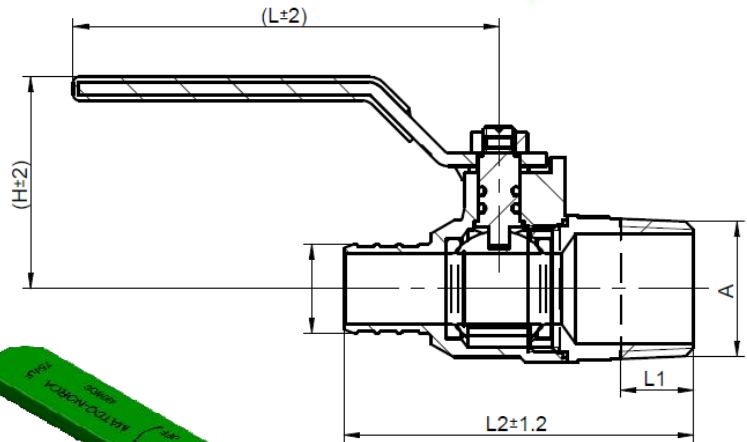


754PXMLF MNPT x PEX Ball Valve

Specification Sheet

FEATURES & BENEFITS

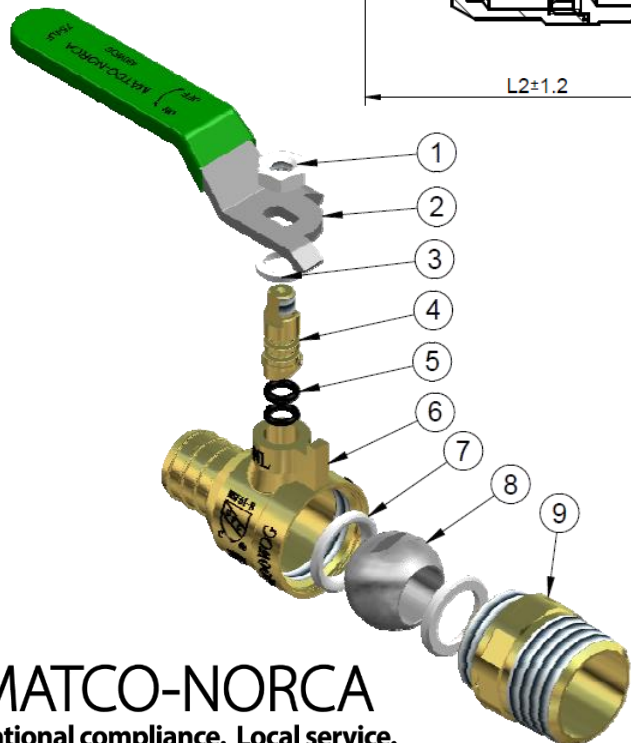
- Lead Free Brass
- 400 WOG
- Full Port
- NSF 14/61 & cUPC Approved
- Blow-Out Proof Stems
- Two Piece Body
- Pex End Conforms with ASTM F1807
- Sizes 1/2" - 1"



Part #	Size	L	H	A	L1	L2
754PXM03LF	1/2"	2.96	1.48	1/2-14NPT	0.54	2.52
754PXM04LF	3/4"	3.19	1.59	3/4-14NPT	0.54	2.62
754PXM05LF	1"	4.18	1.98	1-11.5NPT	0.68	3.23

MATERIAL SPECIFICATIONS

No.	Part	Material
1	Hex Nut	Steel
2	Handle	Steel
3	Washer	PTFE
4	Stem	Brass C46500
5	O-Ring	EPDM
6	Body	Brass C46500
7	Seat	PTFE
8	Ball	Brass C46500
9	Bonnet	Brass C46500



MATCO-NORCA
 Global sourcing. National compliance. Local service.