

754PXLF Pex Ball Valve • Spec Sheet

1/2" – 1"



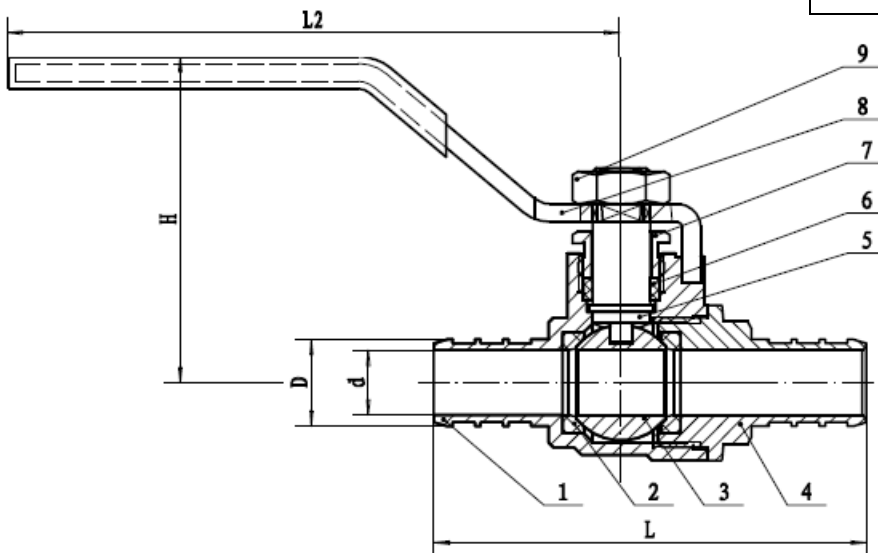
*Product will have LF imprinted on the body for Lead Free

FEATURES & BENEFITS

- Lead Free Forged Brass*
- 400 WOG - 150 SWP
- Full Port
- NSF Approved
- 1/4 Turn With Packing Nut
- Two Piece Body
- Blow Out Proof Stem
- With Waste Drain & Drop Ear
- Option Available
- Sizes 1/2" - 2"

DIMENSIONS

Part #	Size	D	d	H	L	L2
754PX03LF	1/2"	0.47	0.35	1.79	2.36	3.34
754PX04LF	3/4"	0.67	0.53	1.90	2.53	3.34
754PX05LF	1"	0.86	0.71	2.24	3.20	4.02



MATERIAL SPECIFICATIONS

No.	Part	Material
1	Body	Brass C46400
2	Seating	PTFE
3	Ball	C.P. Brass C67500
4	Bonnet	Brass C46400
5	Stem	Brass C86400
6	Gasket	PTFE
7	Press Nut	Brass C86400
8	Handle	Iron Q235A
9	Screw Nut	Iron AISI 1010

*This product complies with 0.25% weighted average lead content on wetted surfaces in accordance with the Safe Drinking Water Act (SDWA) / Federal Public Law No. 111-380.



Global sourcing. National compliance. Local service.

CALIFORNIA 5595 Fresca Dr., La Palma CA 90623
TEXAS 1150 Silber Rd., Houston TX 77055
ILLINOIS 278 Windy Point Dr., Glendale Heights, IL 60139
GEORGIA 113 Industrial Blvd., Americus, Georgia 31709
NEW YORK PO Box 27, Rt.22, Brewster NY 10509
 WEB: www.matco-norca.com

• Phone: 866-532-8306 • Fax: 866-532-8307
 • Phone: 800-935-5456 • Fax: 713-680-2999
 • Phone: 844-412-5068 • Fax: 800-640-2252
 • Phone: 800-433-7526 • Fax: 800-533-5134
 • Phone: 800-431-2082 • Fax: 845-278-9056
 EMAIL: mail@matco-norca.com

754PXLF Pex Ball Valve • Spec Sheet



*Product will have LF imprinted on the body for Lead Free

1-1/4" – 2"

FEATURES & BENEFITS

- Lead Free Forged Brass*
- 400 WOG - 150 SWP
- Full Port
- NSF Approved
- 1/4 Turn With Packing Nut
- Two Piece Body
- Blow Out Proof Stem
- With Waste Drain & Drop Ear
- Option Available
- Sizes 1/2" - 2"

DIMENSIONS

Part #	Size	DN	A	B	C	E	F
754PX06LF	1-1/4"	0.91	0.94	0.87	3.59	2.16	5.12
754PX07LF	1-1/2"	0.99	1.15	1.02	4.13	2.21	5.12
754PX08LF	2"	1.34	1.50	1.37	5.32	2.49	5.12

MATERIAL SPECIFICATIONS

No.	Part	Material
1	Hex Nut	Steel
2	Handle	Steel
3	Washer	PTFE
4	Stem	1-1/4" - 1-1/2" – Brass C46500 2" – Brass C36000
5	O-Ring	EPDM
6	Body	Brass C46500
7	Ball	1-1/4" - 1-1/2" – C.P. Brass C46500 2" – Stainless Steel
8	Seat	PTFE
9	Bonnet	Brass C46500

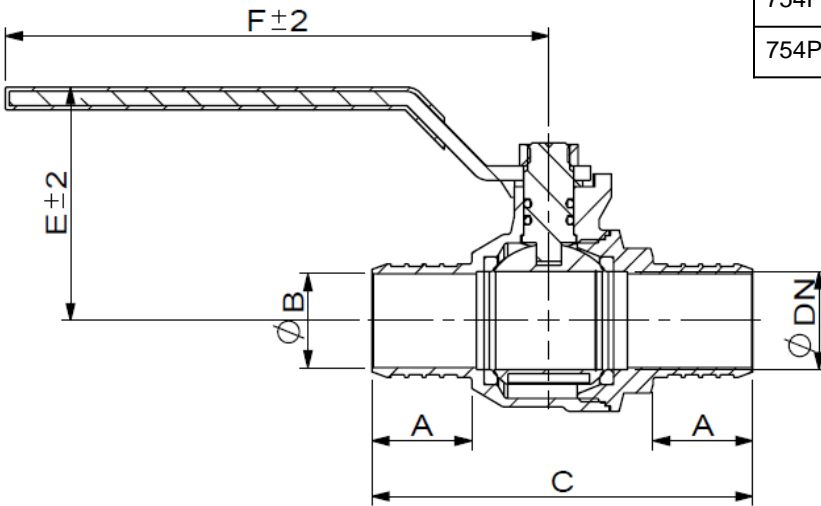
*This product complies with 0.25% weighted average lead content on wetted surfaces in accordance with the Safe Drinking Water Act (SDWA) / Federal Public Law No. 111-380.



Global sourcing. National compliance. Local service.

CALIFORNIA 5595 Fresca Dr., La Palma CA 90623
TEXAS 1150 Silber Rd., Houston TX 77055
ILLINOIS 278 Windy Point Dr., Glendale Heights, IL 60139
GEORGIA 113 Industrial Blvd., Americus, Georgia 31709
NEW YORK PO Box 27, Rt.22, Brewster NY 10509
 WEB: www.matco-norca.com

• Phone: 866-532-8306 • Fax: 866-532-8307
 • Phone: 800-935-5456 • Fax: 713-680-2999
 • Phone: 844-412-5068 • Fax: 800-640-2252
 • Phone: 800-433-7526 • Fax: 800-533-5134
 • Phone: 800-431-2082 • Fax: 845-278-9056
 EMAIL: mail@matco-norca.com



754PXDEL F Pex Ball Valve • Spec Sheet

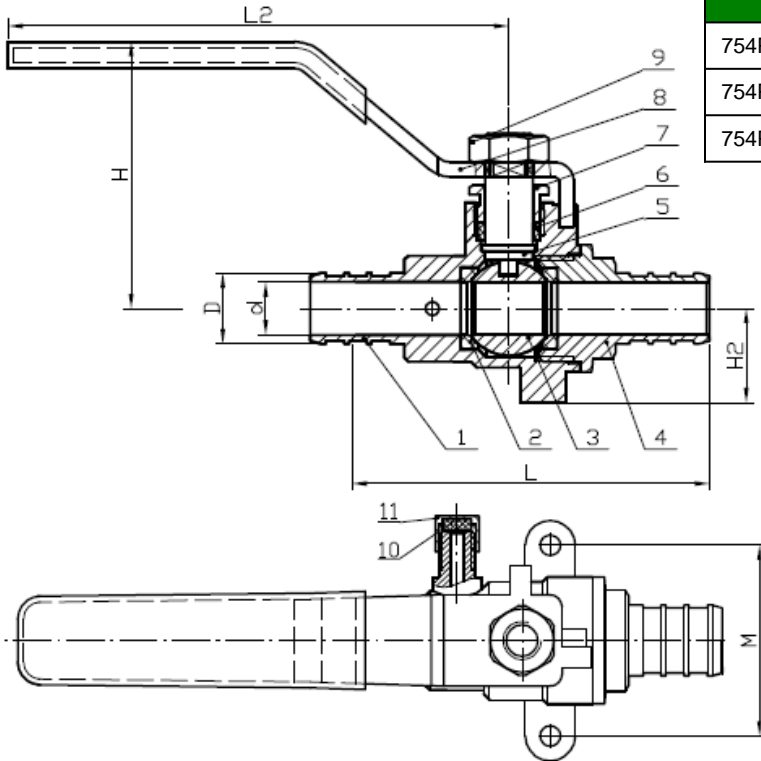


FEATURES & BENEFITS

- Lead Free Forged Brass*
- 400 WOG - 150 SWP
- Full Port
- NSF Approved
- Pex Ends
- Two Piece Body
- Blow Out Proof Stem
- With Waste Drain & Drop Ear Elbow
- Sizes 1/2" - 1"

DIMENSIONS

Part #	Size	D	d	H	L	L2	H2	M
754PXDE03LF	1/2"	0.47	0.35	1.79	2.67	3.34	0.63	1.24
754PXDE04LF	3/4"	0.67	0.53	1.90	2.87	3.34	0.78	1.65
754PXDE05LF	1"	0.86	0.71	2.24	3.50	4.02	1.04	1.97



MATERIAL SPECIFICATIONS

No.	Part	Material
1	Body	Brass C46400
2	Seat Ring	PTFE
3	Ball	C.P. Brass C46400
4	Bonnet	Brass C46400
5	Stem	Brass C48500
6	Seal	PTFE
7	Pressure Cap	Brass C37700
8	Handle	Iron Q235A
9	Screw Nut	Iron AISI 1010
10	Seal	Rubber NBR
11	Cap	Brass C37700

*This product complies with 0.25% weighted average lead content on wetted surfaces in accordance with the Safe Drinking Water Act (SDWA) / Federal Public Law No. 111-380.



Global sourcing. National compliance. Local service.

CALIFORNIA 5595 Fresca Dr., La Palma CA 90623
TEXAS 1150 Silber Rd., Houston TX 77055
ILLINOIS 278 Windy Point Dr., Glendale Heights, IL 60139
GEORGIA 113 Industrial Blvd., Americus, Georgia 31709
NEW YORK PO Box 27, Rt.22, Brewster NY 10509
 WEB: www.matco-norca.com

• Phone: 866-532-8306 • Fax: 866-532-8307
 • Phone: 800-935-5456 • Fax: 713-680-2999
 • Phone: 844-412-5068 • Fax: 800-640-2252
 • Phone: 800-433-7526 • Fax: 800-533-5134
 • Phone: 800-431-2082 • Fax: 845-278-9056
 EMAIL: mail@matco-norca.com