

754PXFTLF FNPT x PEX Ball Valve With Tee Handle

Specification Sheet

FEATURES & BENEFITS

- Lead Free Brass
- FNPT x PEX
- With Tee Handle
- 400 WOG
- Full Port
- NSF 14/61 & cUPC Approved
- Blow-Out Proof Stems
- Two Piece Body
- PEX End Conforms with ASTM F1807
- Sizes 1/2" - 1"

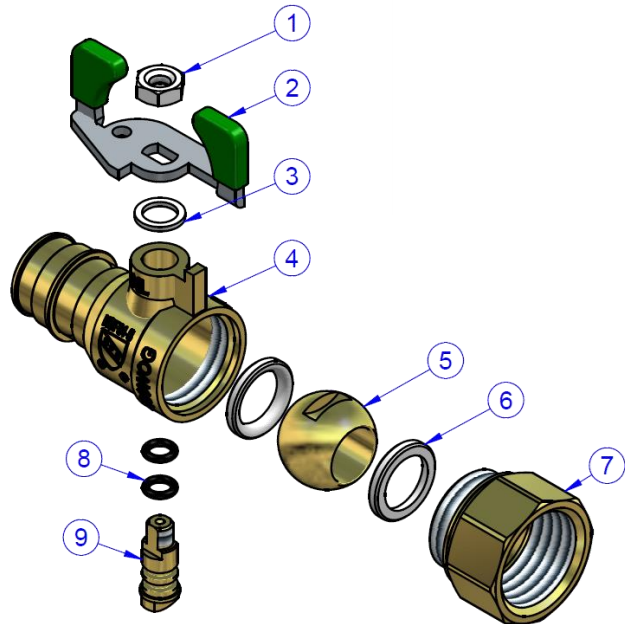
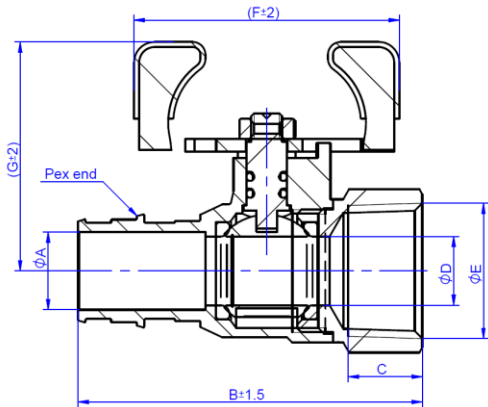


MATERIAL SPECIFICATIONS

No.	Part	Material
1	Hex Nut	Q235
2	Handle	Steel
3	Packing Gland	PTFE
4	Body	Brass C46500
5	Ball	Brass C46500
6	Seat	PTFE
7	Bonnet	Brass C46500
8	O-Ring	EPDM
9	Stem	Brass C46500

DIMENSIONS

Part #	Size	A	B	C	D	E	F	G
754PXF03TLF	1/2"	0.38	2.25	0.53	0.39	1/2-14NPT	2.05	1.69
754PXF04TLF	3/4"	0.60	2.66	0.55	0.53	3/4-14NPT	2.05	1.77
754PXF05TLF	1"	0.81	3.29	0.67	0.71	1-11.5NPT	2.52	2.05



**MATCO
NORCA**