

# 754PXFLF FNPT x PEX Ball Valve

## Specification Sheet

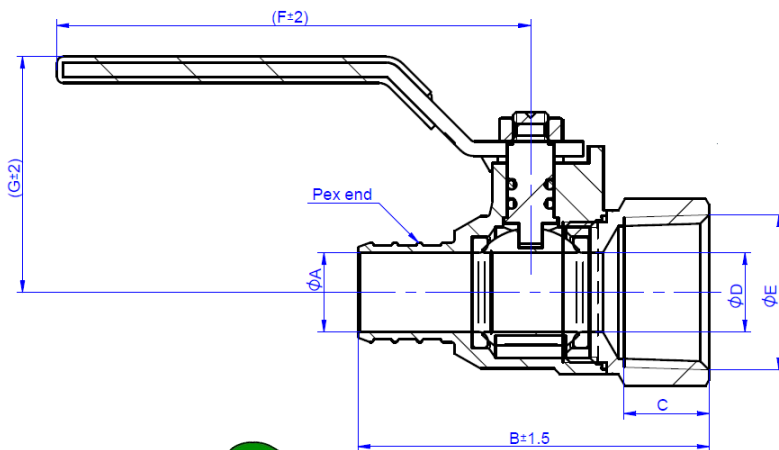
### FEATURES & BENEFITS

- Lead Free Brass
- FNPT x PEX
- 400 WOG
- Full Port
- NSF 14/61 & cUPC Approved
- Blow-Out Proof Stems
- Two Piece Body
- PEX End Conforms with ASTM F1807
- Sizes 1/2" - 1"



### MATERIAL SPECIFICATIONS

| No. | Part          | Material     |
|-----|---------------|--------------|
| 1   | Hex Nut       | Q235         |
| 2   | Handle        | Steel        |
| 3   | Packing Gland | PTFE         |
| 4   | Body          | Brass C46500 |
| 5   | Ball          | Brass C46500 |
| 6   | Seat          | PTFE         |
| 7   | Bonnet        | Brass C46500 |
| 8   | O-Ring        | EPDM         |
| 9   | Stem          | Brass C46500 |



### DIMENSIONS

| Part #     | Size | A    | B    | C    | D    | E         | F    | G    |
|------------|------|------|------|------|------|-----------|------|------|
| 754PXF03LF | 1/2" | 0.35 | 2.23 | 0.53 | 0.39 | 1/2-14NPT | 2.96 | 1.49 |
| 754PXF04LF | 3/4" | 0.53 | 2.36 | 0.55 | 0.53 | 3/4-14NPT | 3.19 | 1.59 |
| 754PXF05LF | 1"   | 0.71 | 2.92 | 0.67 | 0.71 | 1-11.5NPT | 4.18 | 1.97 |

