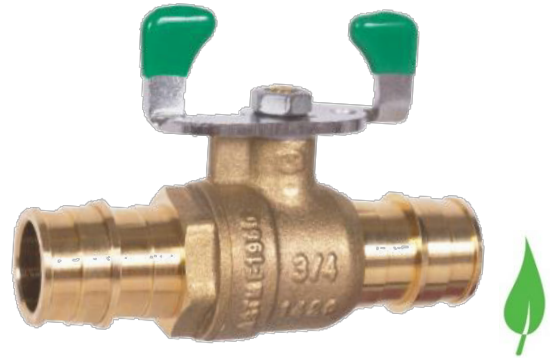


754PXCETLF Cold Expansion PEX Ball Valve With Tee Handle

Specification Sheet

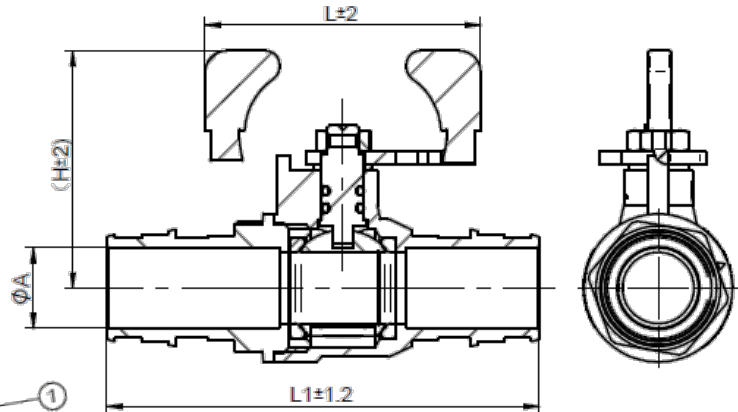
FEATURES & BENEFITS

- Lead Free Brass
- 400 WOG
- Full Port
- NSF61 & NSF372 Approved
- cUPC Approved
- PEX Ends Conform with ASTM F1960
- With Tee Handle
- Two Piece Body
- Blow Out Proof Stem
- Sizes 1/2" - 1"



DIMENSIONS

Part #	Size	A	L1	L	H
754PXCE03TLF	1/2"	0.38	2.60	2.05	1.69
754PXCE04TLF	3/4"	0.60	3.21	2.05	1.77
754PXCE05TLF	1"	0.81	3.98	2.52	2.04



MATERIAL SPECIFICATIONS

No.	Part	Material
1	Hex-Nut	Steel Q235
2	Handle	Steel Q235
3	Washer	PTFE
4	Stem	Brass C46500
5	O-Ring	EPDM
6	Body	Brass C46500
7	Seat	PTFE
8	Ball	Brass C46500
9	Bonnet	Brass C46500

