

# 754PXCEMLF Cold Expansion PEX Ball Valve

## Specification Sheet

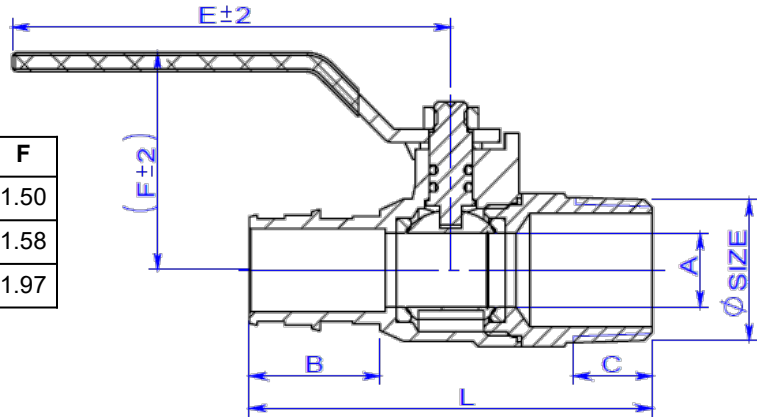
### FEATURES & BENEFITS

- Lead Free Brass
- 400 WOG
- Full Port
- NSF 14/61 & cUPC Approved
- Blow-Out Proof Stems
- Cold Expansion x MNPT
- ASTM F1960 (Cold Expansion Fitting Ends)
- MNPT Complies with ASME B1.20.1.
- Sizes 1/2" - 1"



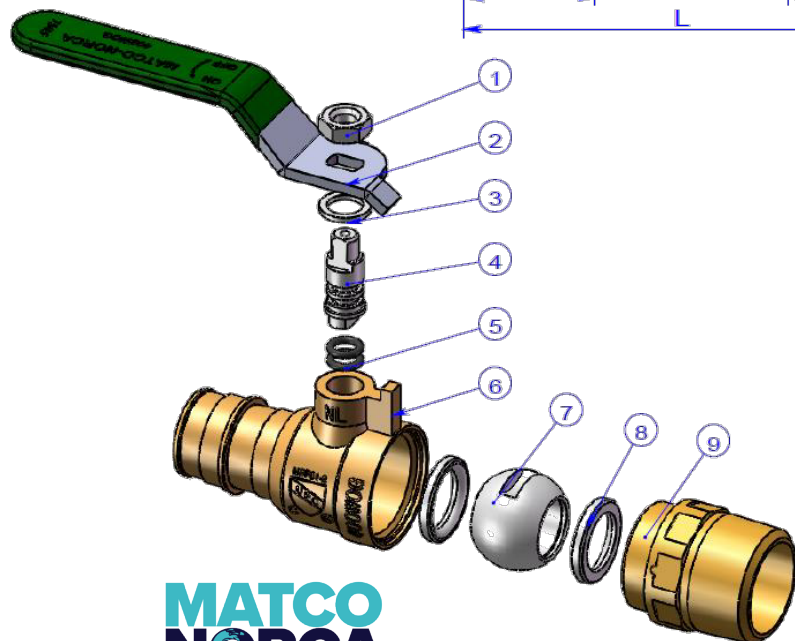
### DIMENSIONS

Part #	Size	A	B	C	L	E	F
754PXCEM03LF	1/2"	0.39	0.71	0.53	2.54	2.96	1.50
754PXCEM04LF	3/4"	0.53	0.95	0.54	2.92	3.17	1.58
754PXCEM05LF	1"	0.71	1.18	0.69	3.61	4.18	1.97



### MATERIAL SPECIFICATIONS

No.	Part	Material
1	Hex Nut	Steel
2	Handle	Steel
3	Washer	PTFE
4	Stem	Brass C46500
5	O-Ring	EPDM
6	Body	Brass C46500
7	Ball	Brass C46500
8	Seats	PTFE
9	Bonnet	Brass C46500



**MATCO  
NORCA**