

# 754PXCELF Cold Expansion PEX Ball Valve

Specification Sheet

1/2" – 1"

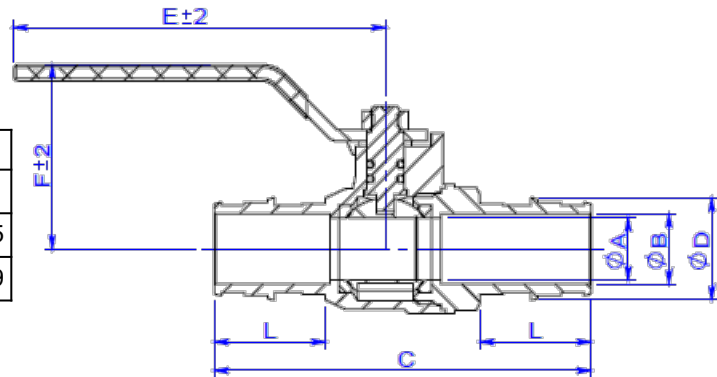
## FEATURES & BENEFITS

- Lead Free Brass
- 400 WOG
- Full Port
- NSF 14/61 & cUPC Approved
- Blow-Out Proof Stems
- ASTM F1960 (Cold Expansion Fitting Ends)
- With Waste Drain & Drop Ear Option Available
- Sizes 1/2" - 2"



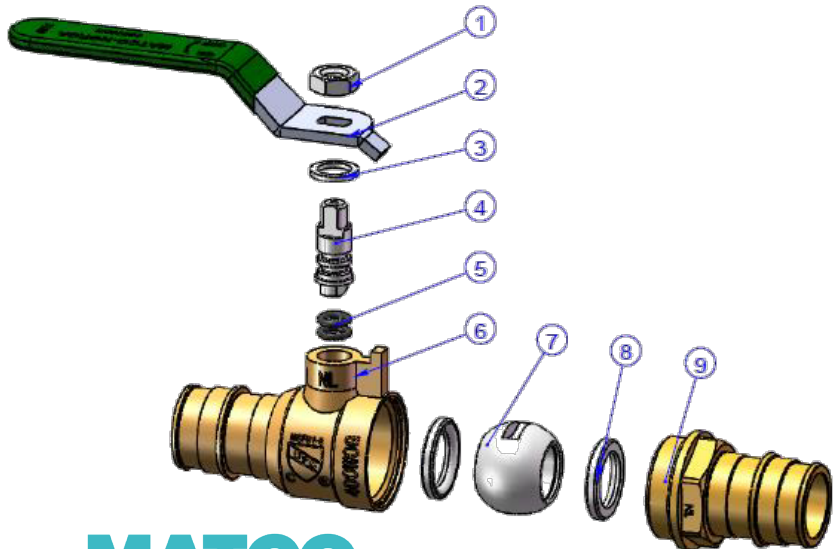
## DIMENSIONS

Part #	Size	A	B	C	D	E	F	L
754PXCE03LF	1/2"	0.39	0.39	2.60	0.61	2.96	1.50	0.71
754PXCE04LF	3/4"	0.53	0.60	3.21	0.87	3.17	1.58	0.95
754PXCE05LF	1"	0.75	0.81	3.98	1.11	4.18	1.97	1.19



## MATERIAL SPECIFICATIONS

No.	Part	Material
1	Hex Nut	Steel Q235
2	Handle	Steel Q235
3	Washer	PTFE
4	Stem	Brass C46500
5	O-Ring	EPDM
6	Body	Brass C46500
7	Ball	C.P. Brass C46500
8	Seats	PTFE
9	Bonnet	Brass C46500



**MATCO  
NORCA**

# 754PXCELF Cold Expansion PEX Ball Valve

Specification Sheet

1-1/4" – 1"

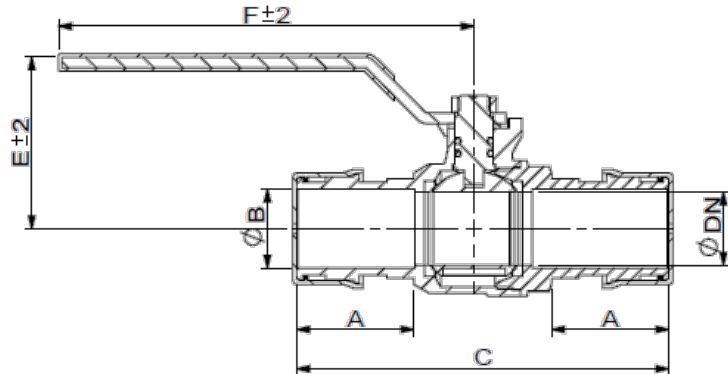
## FEATURES & BENEFITS

- Lead Free Brass
- 400 WOG
- Full Port
- NSF 14/61 & cUPC Approved
- Blow-Out Proof Stems
- ASTM F1960 (Cold Expansion Fitting Ends)
- With Waste Drain & Drop Ear Option Available
- Sizes 1/2" - 2"



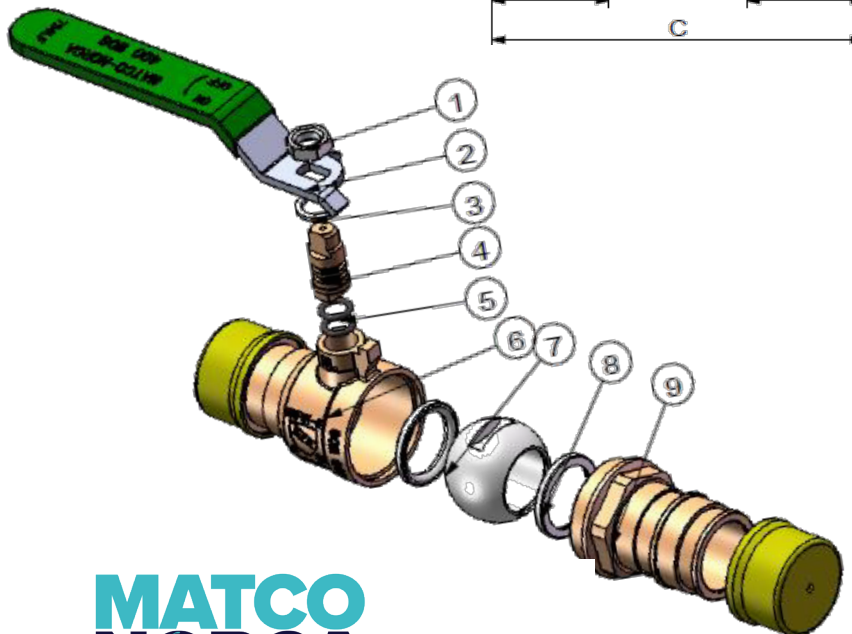
## DIMENSIONS

Part #	Size	DN	A	B	C	E	F
754PXCE06LF	1-1/4"	0.91	1.45	0.98	4.59	2.12	5.12
754PXCE07LF	1-1/2"	0.99	1.71	1.11	5.26	2.21	5.12
754PXCE08LF	2"	1.34	2.15	1.58	6.58	2.48	5.12



## MATERIAL SPECIFICATIONS

No.	Part	Material
1	Hex Nut	Steel Q235
2	Handle	Steel Q235
3	Washer	PTFE
4	Stem	Brass C46500
5	O-Ring	EPDM
6	Body	Brass C46500
7	Ball	C.P. Brass C46500
8	Seats	PTFE
9	Bonnet	Brass C46500



**MATCO  
NORCA**

# 754PXCELFCold Expansion PEX Ball Valve With Waste Drain & Drop Ear

## Specification Sheet

### FEATURES & BENEFITS

- Lead Free Brass
- 400 WOG
- Full Port
- NSF 14/61 & cUPC Approved
- Blow-Out Proof Stems
- ASTM F1960 (Cold Expansion Fitting Ends)
- With Waste Drain & Drop Ear Option Available
- Sizes 1/2" - 1"

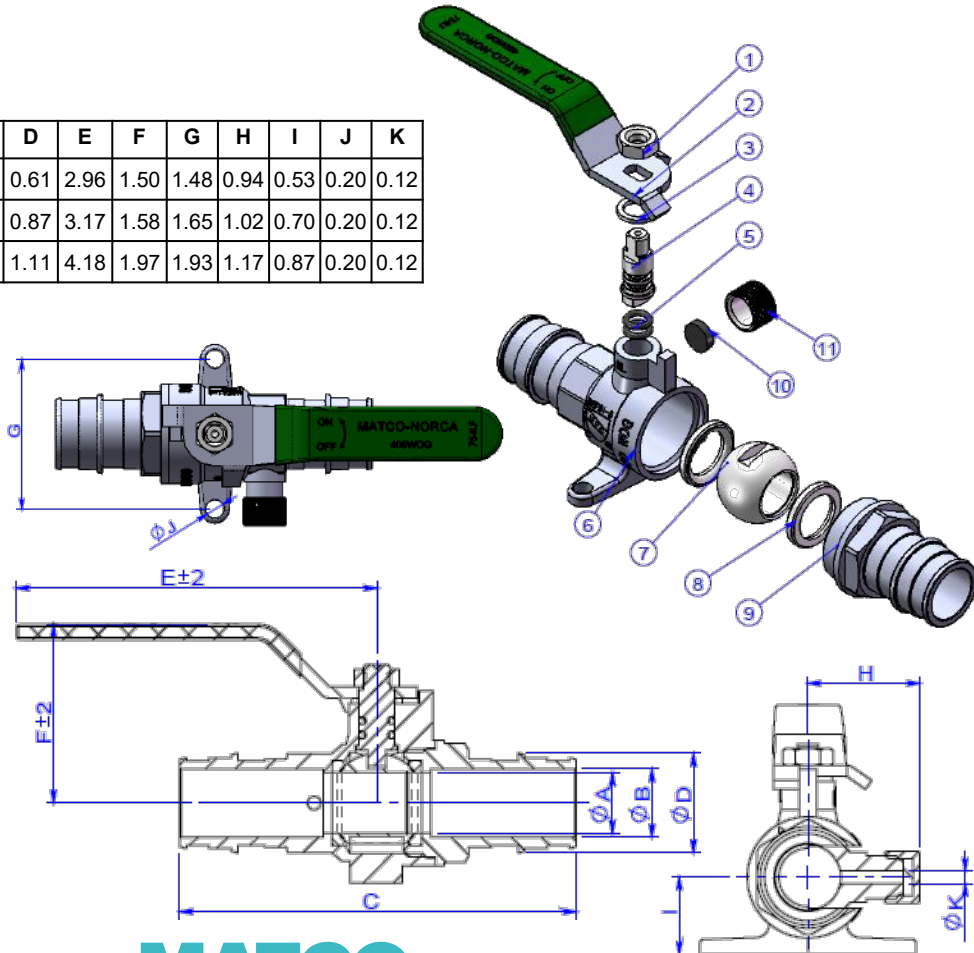


### DIMENSIONS

Part #	Size	A	B	C	D	E	F	G	H	I	J	K
754PXCEDE03LF	1/2"	0.39	0.39	2.82	0.61	2.96	1.50	1.48	0.94	0.53	0.20	0.12
754PXCEDE04LF	3/4"	0.53	0.60	3.49	0.87	3.17	1.58	1.65	1.02	0.70	0.20	0.12
754PXCEDE05LF	1"	0.75	0.81	4.26	1.11	4.18	1.97	1.93	1.17	0.87	0.20	0.12

### MATERIAL SPECIFICATIONS

No.	Part	Material
1	Hex Nut	Steel Q235
2	Handle	Steel Q235
3	Washer	PTFE
4	Stem	Brass C46500
5	O-Ring	EPDM
6	Body	Brass C46500
7	Ball	C.P. Brass C46500
8	Seats	PTFE
9	Bonnet	Brass C46500
10	Rubber Gasket	EPDM
11	Cap	Brass



**MATCO  
NORCA**