

754PXCEFTLF Cold Expansion PEX Ball Valve With Tee Handle

Specification Sheet

FEATURES & BENEFITS

- Lead Free Brass
- FNPT x Cold Expansion PEX
- With Tee Handle
- Full Port
- 400 WOG
- NSF 14/61 Approved
- cUPC Approved
- Blow-Out Proof Stems
- ASTM F1960 (Cold Expansion Fitting Ends)
- FNPT Complies with ASME B1.20.1.
- Size 1/2" – 1"

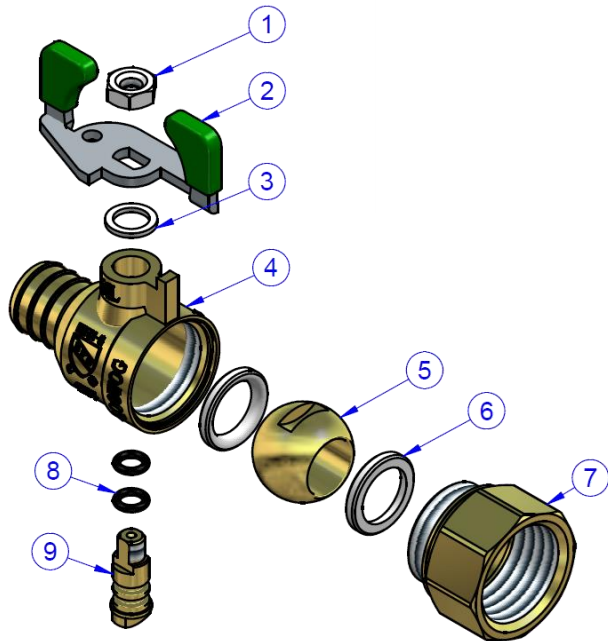
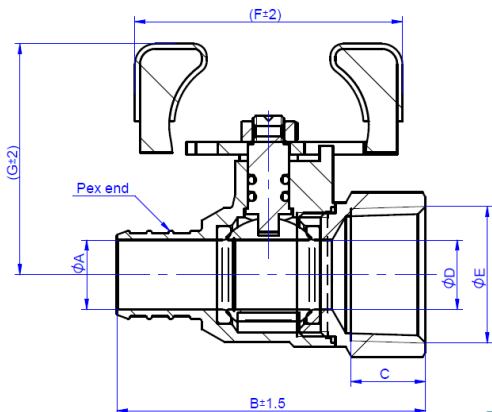


MATERIAL SPECIFICATIONS

No.	Part	Material
1	Hex Nut	Q235
2	Handle	Steel
3	Packing Gland	PTFE
4	Body	Brass C46500
5	Ball	Brass C46500
6	Seat	PTFE
7	Bonnet	Brass C46500
8	O-Ring	EPDM
9	Stem	Brass C46500

DIMENSIONS

Part #	Size	A	B	C	D	E	F	G
754PXCEF03TLF	1/2"	0.35	2.23	0.53	0.39	1/2-14NPT	2.05	1.69
754PXCEF04TLF	3/4"	0.53	2.36	0.55	0.53	3/4-14NPT	2.05	1.77
754PXCEF05TLF	1"	0.71	2.92	0.67	0.71	1-11.5NPT	2.52	2.05



MATCO
NORCA