

# 754PXCEFLF Cold Expansion PEX Ball Valve

## Specification Sheet

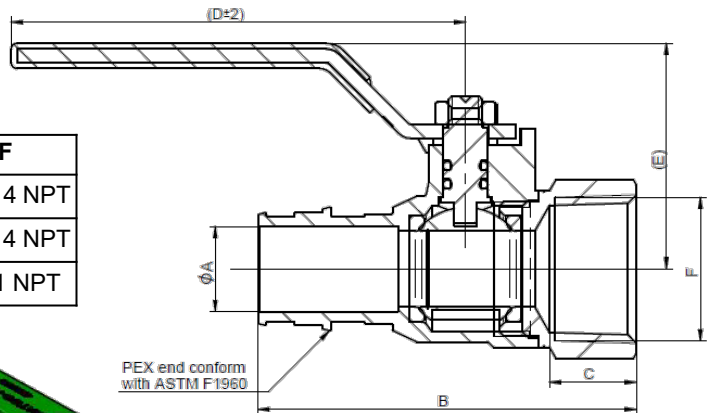
### FEATURES & BENEFITS

- Lead Free Brass
- 400 WOG
- Full Port
- NSF 14/61 & cUPC Approved
- Blow-Out Proof Stems
- Cold Expansion x FNPT
- ASTM F1960 (Cold Expansion Fitting Ends)
- FNPT Complies with ASME B1.20.1.
- Sizes 1/2" - 1"



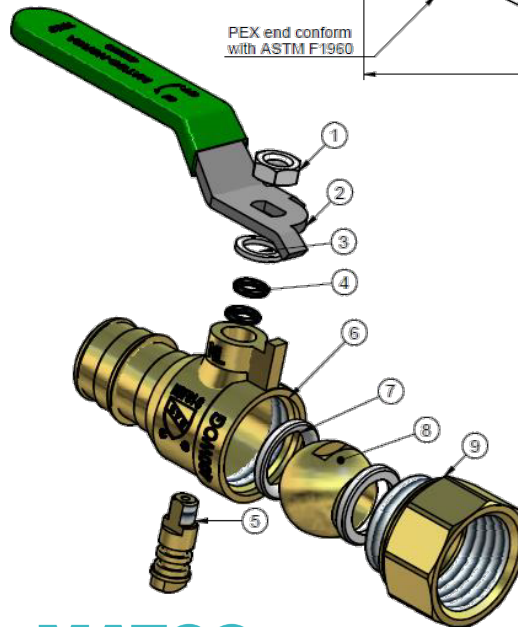
### DIMENSIONS

Part #	Size	A	B	C	D	E	F
754PXCEF03LF	1/2"	0.38	2.25	0.57	2.96	1.49	1/2"-14 NPT
754PXCEF04LF	3/4"	0.59	2.66	0.61	3.19	1.59	3/4"-14 NPT
754PXCEF05LF	1"	0.81	3.29	0.73	4.18	1.97	1"-11 NPT



### MATERIAL SPECIFICATIONS

No.	Part	Material
1	Hex Nut	Steel
2	Handle	Steel
3	Washer	PTFE
4	O-Ring	EPDM
5	Stem	Brass C46500
6	Body	Brass C46500
7	Seats	PTFE
8	Ball	Brass C46500
9	Bonnet	Brass C46500



**MATCO  
NORCA**