

754DTLF Ball Valve With Drain • Spec Sheet

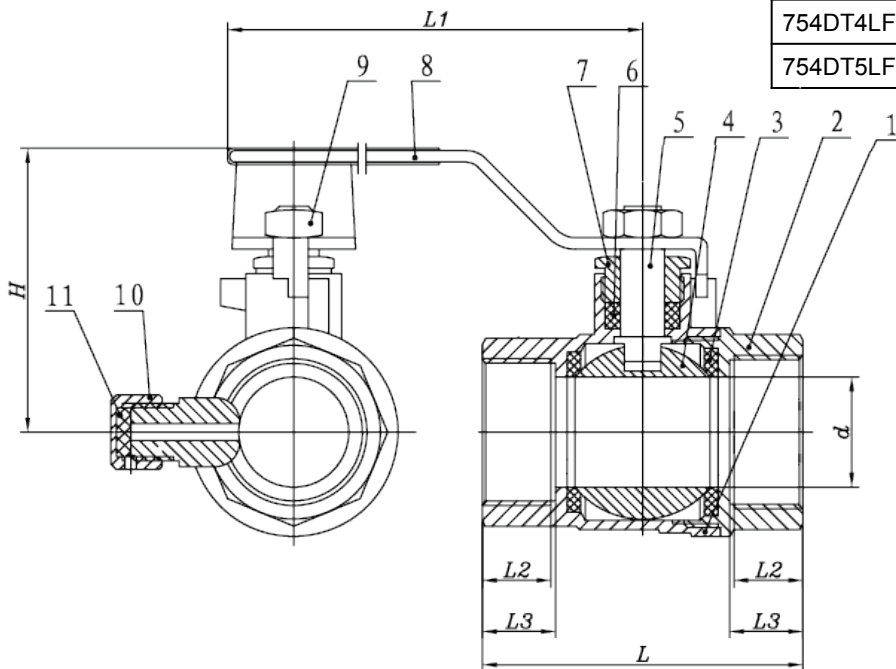


FEATURES & BENEFITS

- Lead Free Brass*
- ISO-9002
- 400 WOG
- Full Port
- Forged Brass IPS & CXC
- With Drain
- Threaded Ends Comply w/ ANSI B2.1
- Solder Ends Meet ANSI B16.18
- Sizes 1/2" - 1"

DIMENSIONS

Part #	Size	H	L	L1	L2	L3	Ød
754DT3LF	1/2"	2.01	2.23	3.45	0.43	0.47	0.58
754DT4LF	3/4"	2.29	2.48	3.74	0.51	0.55	0.75
754DT5LF	1"	2.64	2.94	4.57	0.59	0.63	0.95



MATERIAL SPECIFICATIONS

No.	Part	Material
1	Body	Brass C46500
2	Bonnet	Brass C46500
3	Seat Seal	PTFE
4	Ball	Brass C46500
5	Stem	Brass C46500
6	Packing	PTFE
7	Nut	Brass C38500
8	Handle	Carbon Steel
9	Nut	Carbon Steel
10	Nut	Brass C38500
11	Gasket	EPDM

* These product complies with 0.25% weighted average lead content on wetted surfaces in accordance with Safe Water Drinking Act (SDWA) / Federal Public Law No. 111-380.



754DCLF Ball Valve With Drain • Spec Sheet



FEATURES & BENEFITS

- Lead Free Brass*
- ISO-9002
- 400 WOG
- Full Port
- Forged Brass IPS & CXC
- With Drain
- Threaded Ends Comply w/ ANSI B2.1
- Solder Ends Meet ANSI B16.18
- Sizes 1/2" - 1"

DIMENSIONS

Part #	Size	H	L	L1	Ød	Ød1
754DC3LF	1/2"	2.01	2.31	3.45	0.49	0.63
754DC4LF	3/4"	2.29	3.13	3.74	0.79	0.88
754DC5LF	1"	2.64	3.70	4.57	0.95	1.13

MATERIAL SPECIFICATIONS

No.	Part	Material
1	Body	Brass C46500
2	Bonnet	Brass C46500
3	Seat Seal	PTFE
4	Ball	Brass C46500
5	Stem	Brass C46500
6	Packing	PTFE
7	Nut	Brass C38500
8	Handle	Carbon Steel
9	Nut	Carbon Steel
10	Nut	Brass C38500
11	Gasket	EPDM

* These product complies with 0.25% weighted average lead content on wetted surfaces in accordance with Safe Water Drinking Act (SDWA) / Federal Public Law No. 111-380.

