

752UF Ball Valve • Spec Sheet

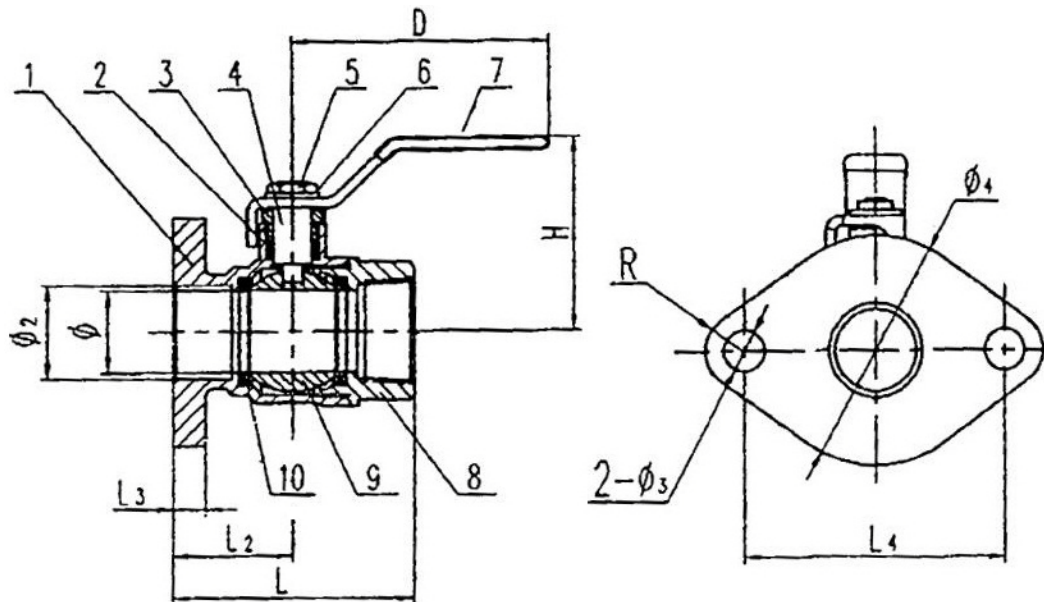


FEATURES & BENEFITS

- 400 WOG
- Full Port
- Brass
- Uni-Flange With Gasket, 2 Bolts & 2 Nuts
- IPS x Flange 3/4" - 1-1/2"
- Copper x Flange 3/4" - 1-1/2"

DIMENSIONS

Size	Part # Threaded	Part # Copper	D	H	Ø	Ø2	L3	L2	L Threaded	L Copper	R	Ø3	Ø4	L4
3/4"	752T04UF	752C04UF	4.33	2.38	0.75	0.88	0.39	1.22	2.42	2.62	0.45	0.49	2.76	3.15
1"	752T05UF	752C05UF	4.33	2.56	0.99	1.13	0.39	1.38	2.82	3.07	0.45	0.49	2.76	3.15
1-1/4"	752T06UF	752C06UF	4.33	2.72	1.14	1.38	0.39	1.54	3.09	3.55	0.45	0.49	2.76	3.15
1-1/2"	752T07UF	752C07UF	4.33	2.92	1.46	1.63	0.39	1.73	3.47	3.92	0.45	0.49	2.76	3.15



MATERIAL SPECIFICATIONS

No.	Part	Material
1	Body	Brass
2	Stem Packing	F - 4
3	Gland Nut	Brass
4	Stem	Brass
5	Nut	Q235
6	Spring Washer	Q235
7	Handle	Q235
8	End Cap	Brass
9	Ball	Brass
10	Seat	F - 4

