

752N Brass Ball Valve • Spec Sheet

THREADED



FEATURES & BENEFITS

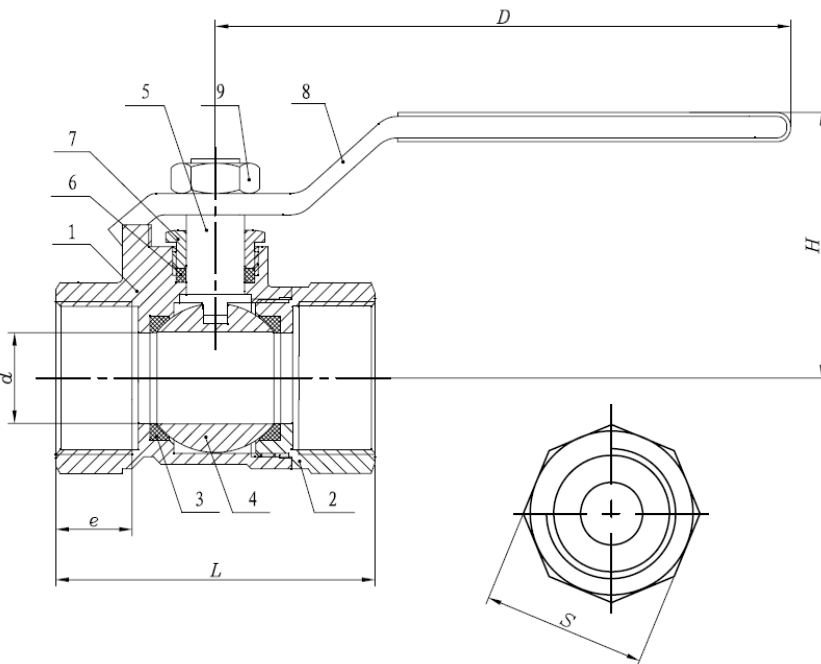
- ISO-9002
- 1/4" – 2" 600 WOG – 150 SWP
- 2-1/2" – 4" 400 WOG – 150 SWP
- Standard Port
- Forged Brass Body
- Blow Out Proof Stem
- PTFE Seats
- Threaded Ends Comply w/ ANSI B2.1
- Conforms to Specifications of MSS-SP-110
- Sizes 1/4" - 4"

MATERIAL SPECIFICATIONS

No.	Part	Material
1	Body	Brass
2	Bonnet	Brass
3	Seat Seal	PTFE
4	Ball	Brass
5	Stem	Brass
6	Stem Packing	PTFE
7	Gland Nut	Brass
8	Handle	Steel
9	Lock Nut	Steel

DIMENSIONS

Size	Part # IPS	D	H	L	S	Ød	e
1/4"	752T01N	3.31	1.50	1.68	0.83	0.32	0.39
3/8"	752T02N	3.31	1.50	1.68	0.83	0.32	0.39
1/2"	752T03N	3.31	1.54	1.93	0.99	0.39	0.49
3/4"	752T04N	3.31	1.65	2.21	1.20	0.58	0.53
1"	752T05N	4.71	2.05	2.64	1.50	0.75	0.63
1-1/4"	752T06N	4.71	2.29	3.03	1.81	0.95	0.69
1-1/2"	752T07N	5.42	2.72	3.43	2.09	1.26	0.71
2"	752T08N	5.42	2.88	3.82	2.61	1.50	0.75
2-1/2"	752T09N	9.22	4.41	4.69	3.35	1.97	0.85
3"	752T10N	9.22	4.81	5.63	3.86	2.52	1.02
4"	752T11N	9.22	5.16	6.82	4.89	2.96	1.16



Global sourcing. National compliance. Local service.

CALIFORNIA 5595 Fresca Dr., La Palma CA 90623
TEXAS 1150 Silber Rd., Houston TX 77055
ILLINOIS 278 Windy Point Dr., Glendale Heights, IL 60139
GEORGIA 113 Industrial Blvd., Americus, Georgia 31709
NEW YORK PO Box 27, Rt.22, Brewster NY 10509
 WEB: www.matco-norca.com

• Phone: 866-532-8306 • Fax: 866-532-8307
 • Phone: 800-935-5456 • Fax: 713-680-2999
 • Phone: 844-412-5068 • Fax: 800-640-2252
 • Phone: 800-433-7526 • Fax: 800-533-5134
 • Phone: 800-431-2082 • Fax: 845-278-9056
 EMAIL: mail@matco-norca.com

752N Brass Ball Valve • Spec Sheet

CxC

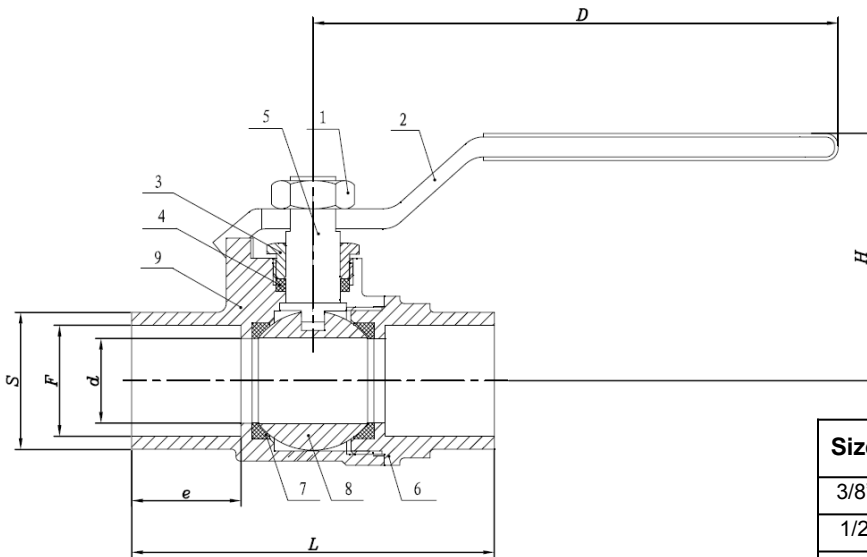


FEATURES & BENEFITS

- ISO-9002
- 400 WOG - 150 SWP
- Standard Port
- Forged Brass Body
- Blow Out Proof Stem
- PTFE Seats
- Solder Ends Meet ANSI B16.18
- Conforms to Specifications of MSS-SP-110
- Sizes 3/8" - 2"

MATERIAL SPECIFICATIONS

No.	Part	Material
1	Handle Nut	Steel
2	Lever Handle	Steel
3	Packing Nut	Brass
4	Gland Packing	PTFE
5	Stem	Brass
6	End Cap	Brass
7	Ball Seat	PTFE
8	Ball	Brass
9	Body	Brass



DIMENSIONS

Size	Part # CxC	D	H	L	ØS	Øf	Ød	e
3/8"	752C02N	3.31	1.50	2.05	0.79	0.50	0.39	0.59
1/2"	752C03N	3.31	1.54	2.05	0.79	0.63	0.39	0.59
3/4"	752C04N	3.31	1.65	2.80	1.04	0.88	0.58	0.89
1"	752C05N	4.71	2.05	3.47	1.32	1.13	0.75	1.10
1-1/4"	752C06N	4.71	2.29	3.90	1.58	1.38	0.95	1.18
1-1/2"	752C07N	5.42	2.72	4.41	1.84	1.63	1.26	1.26
2"	752C08N	5.42	2.88	5.28	2.36	2.13	1.50	1.54



MATCO-NORCA

Global sourcing. National compliance. Local service.

CALIFORNIA 5595 Fresca Dr., La Palma CA 90623
TEXAS 1150 Silber Rd., Houston TX 77055
ILLINOIS 278 Windy Point Dr., Glendale Heights, IL 60139
GEORGIA 113 Industrial Blvd., Americus, Georgia 31709
NEW YORK PO Box 27, Rt.22, Brewster NY 10509
 WEB: www.matco-norca.com

• Phone: 866-532-8306 • Fax: 866-532-8307
 • Phone: 800-935-5456 • Fax: 713-680-2999
 • Phone: 844-412-5068 • Fax: 800-640-2252
 • Phone: 800-433-7526 • Fax: 800-533-5134
 • Phone: 800-431-2082 • Fax: 845-278-9056
 EMAIL: mail@matco-norca.com