

750LF Brass Ball Valve – IPS

Specification Sheet

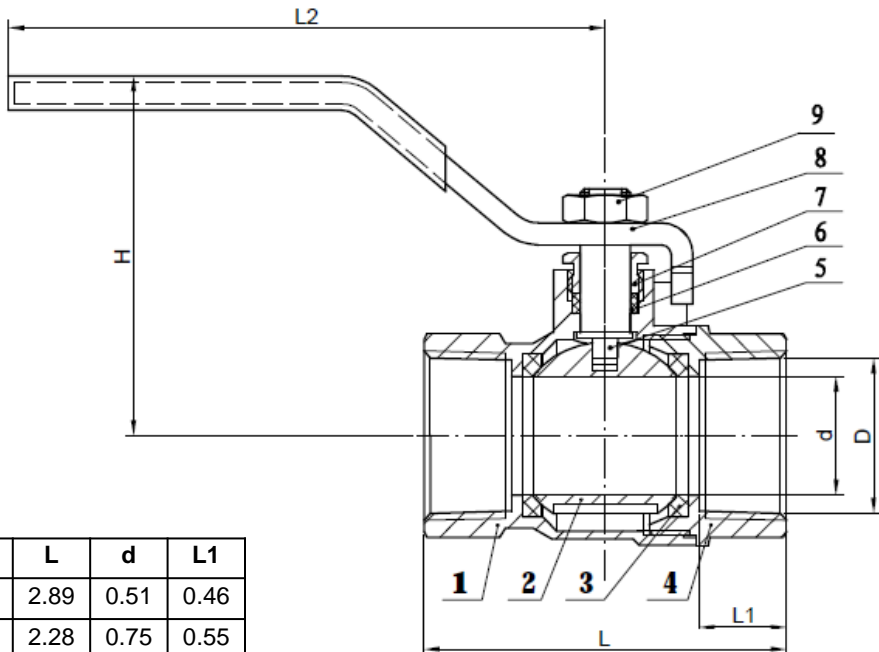
FEATURES & BENEFITS

- Lead Free Forged Brass
- 600 PSI Non- Shock CWP
- 150 PSI SWP
- Full Port
- Two Piece Body
- Blow-Out Proof Stem
- Thread Ends Comply Per ANSI B1.20.1
- Conforms to MSS-SP-110 Specifications
- Certified to NSF 61/372
- Sizes 1/2" - 2"



MATERIAL SPECIFICATIONS

No.	Part	Material
1	Body	Brass C28500
2	Ball	1/2" - 1" Brass C28500 1-1/4" - 2" SS304
3	Seat Ring	PTFE
4	Bonnet	Brass C28500
5	Stem	Brass C37700
6	Filler	PTFE
7	Press Nut	Brass C38500
8	Handle	Steel
9	Nut	Steel



DIMENSIONS

Part No.	Size (D)	L2	H	L	d	L1
750T03LF	1/2"	3.50	2.05	2.89	0.51	0.46
750T04LF	3/4"	3.72	2.22	2.28	0.75	0.55
750T05LF	1"	4.57	2.48	2.64	0.91	0.63
750T06LF	1-1/4"	4.57	2.81	3.11	1.18	0.71
750T07LF	1-1/2"	5.51	3.33	3.58	1.46	0.79
750T08LF	2"	5.51	3.68	4.11	1.85	0.83



750LF Brass Ball Valve – CxC

Specification Sheet

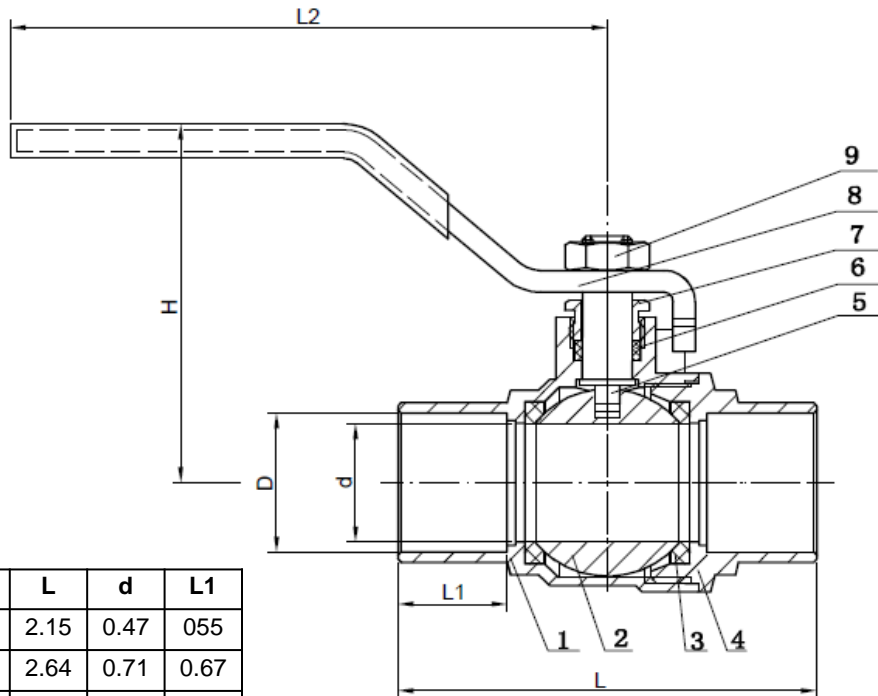
FEATURES & BENEFITS

- Lead Free Forged Brass
- 600 PSI Non- Shock CWP
- 150 PSI SWP
- Full Port
- Two Piece Body
- Blow-Out Proof Stem
- Thread Ends Comply Per ANSI B1.20.1
- Conforms to MSS-SP-110 Specifications
- Certified to NSF 61/372
- Sizes 1/2" - 2"



MATERIAL SPECIFICATIONS

No.	Part	Material
1	Body	Brass C28500
2	Ball	Brass C28500
3	Seat Ring	PTFE
4	Bonnet	Brass C28500
5	Stem	Brass C37700
6	Filler	PTFE
7	Press Nut	Brass C38500
8	Handle	Steel
9	Nut	Steel



DIMENSIONS

Part No.	Size (D)	L2	H	L	d	L1
750C03LF	1/2"	3.50	2.09	2.15	0.47	055
750C04LF	3/4"	3.72	2.26	2.64	0.71	0.67
750C05LF	1"	4.57	2.50	3.27	0.91	0.89

