

646ASLF Back Flow Preventer • Spec Sheet

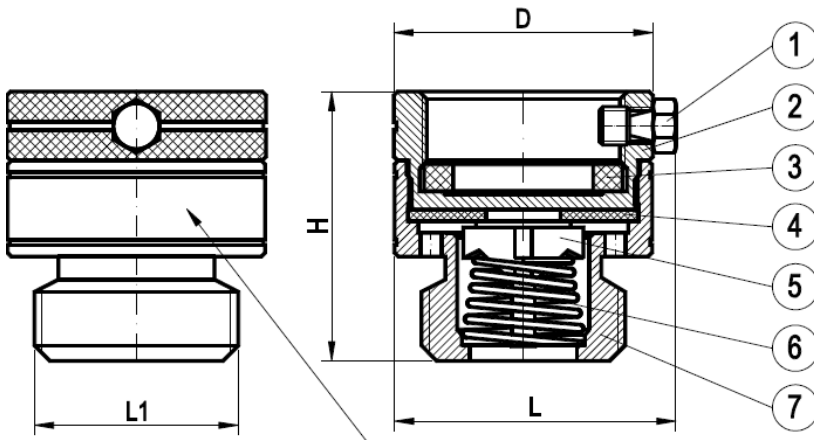


FEATURES & BENEFITS




- Lead Free Brass*
- ISO-9002
- ASSE Standard 1011 and UPC/ IAPMO
- Brass Finish (646AS4LF)
- Chrome-Plated (646ASCLF)
- Available Display Carded
- Break-away Set Screw
- 3/4" Garden Hose Threads

DIMENSIONS

| Part # | H | L | L1 | D |
|-------------------|------|------|------|------|
| 646AS4LF (Brass) | 1.38 | 1.44 | 1.04 | 1.33 |
| 646ASCLF (Chrome) | 1.38 | 1.44 | 1.04 | 1.33 |



MARKING ON PRODUCT :




 B 64.2 125 PSI 180° F INDONESIA LVB 3/4" LF

MATERIAL SPECIFICATIONS

| No. | Part | Material |
|-----|--------------|-----------------------|
| 1 | Bolt | Brass B124 C37700 |
| 2 | Bonnet | Brass C89550 / C46400 |
| 3 | Packing | BUNA SN-719F |
| 4 | Seat Packing | BUNA SN-719F |
| 5 | Spring House | POM-M90 Polyacetal |
| 6 | Spring | Stainless Steel 304 |
| 7 | Body | Brass C89550 / C46400 |



* These product complies with 0.25% weighted average lead content on wetted surfaces in accordance with Safe Water Drinking Act (SDWA) / Federal Public Law No. 111-380.

Global sourcing. National compliance. Local service.

CALIFORNIA 5593 Fresca Dr., La Palma CA 90623 • Toll Free: 866-532-8306 • Fax: 866-532-8307
TEXAS 1150 Silber Rd., Houston TX 77055 • Toll Free: 800-935-5456 • Fax: 713-680-2999
NEW YORK PO Box 27, Rt. 22, Brewster NY 10509 • Toll Free: 800-431-2082 • Fax: 845-278-9056
 WEB: www.matco-norca.com EMAIL: mail@matco-norca.com