

# 58LGFF GAS BALL VALVE



- ❖ Flare x Flare ❖ Quarter Turn ❖ Two Piece Body
  - ❖ 1/2 PSIG & 5 G ❖ Suitable For LP & Natural Gas
- TEMPERATURE RANGE -40°F - 125°F**

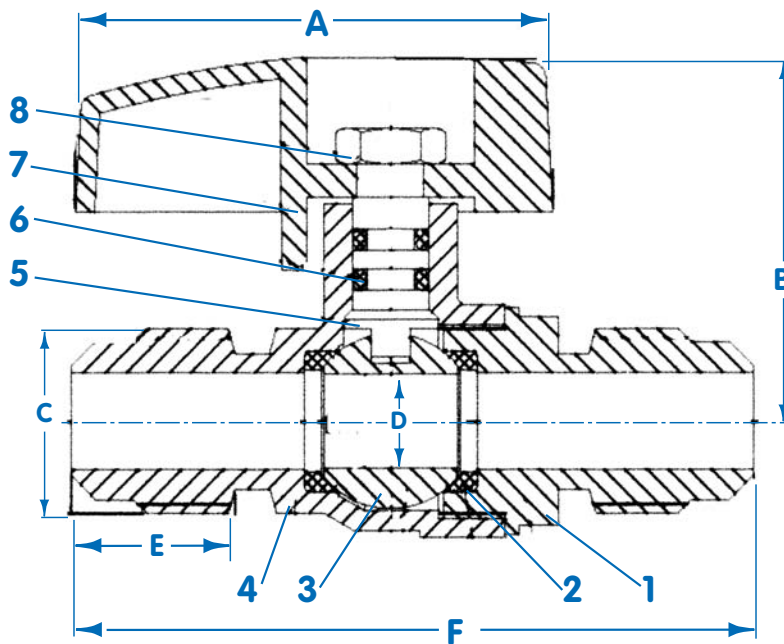
Product Spec Sheet

ISO 9001:2000



### DIMENSIONS

SIZE	A	B	C	D	E	F
3/8"	1.97	1.50	5/8 - 18	.30	.53	2.54
1/2"	1.97	1.50	3/4 - 16	.38	.65	2.82



### MATERIAL SPECIFICATIONS

NO.	Part	Material
1	Adapter	Forged Brass
2	Seats	Virgin PTFE
3	Ball	Chrome Plated Brass
4	Body	Forged Brass
5	Stem	Machined Brass
6	O Ring	NBR
7	Handle	Aluminum Alloy
8	Handle Nut	Copper Plated Carbon Steel



**Brewster, NY**  
 TEL: 800-431-2082  
 FAX: 800-640-2252

**Houston, TX**  
 TEL: 800-935-5456  
 FAX: 800-683-4247

**La Palma, CA**  
 TEL: 866-532-8306  
 FAX: 866-532-8307

**Americus, GA**  
 TEL: 800-433-7526  
 FAX: 800-533-5134

e-mail: [mail@matco-norca.com](mailto:mail@matco-norca.com)

[www.matco-norca.com](http://www.matco-norca.com)