

532 BRONZE SWING CHECK VALVE



❖ Bronze Body ❖ "Y" Pattern
300 PSI Non-Shock WOG
150 PSI WSP

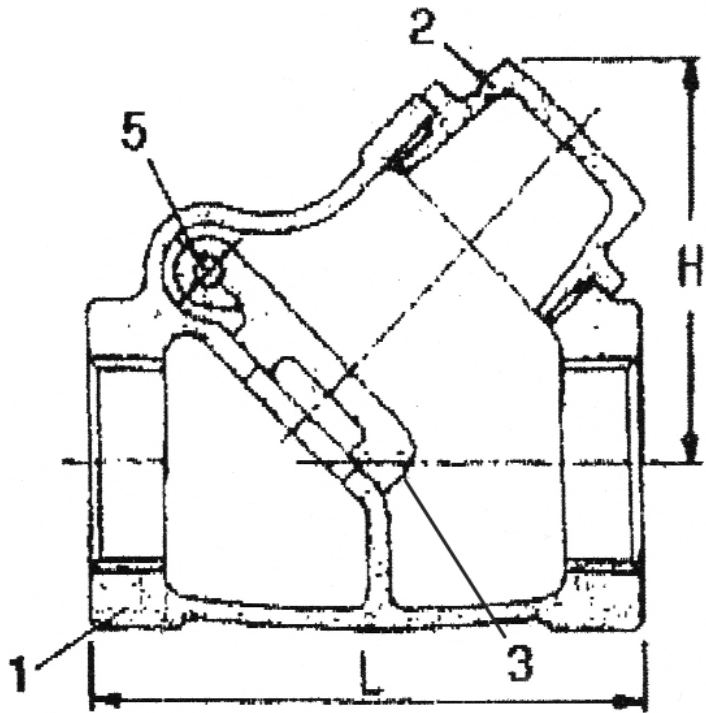
Product Spec Sheet



ISO-9002
 Threaded Ends Conform With ANSI B2.1

MATERIAL SPECIFICATIONS

NO.	Part	Material	ASTM Designation
1	Body	Brass	B62
2	Cap	Brass	B62
3	Disc	Brass	B62
4	Plug	Brass	B16
5	Pin	Brass	B16



DIMENSIONS

Size	L	H
1/2"	2.21	1.69
3/4"	2.84	2.01
1"	3.15	2.21
1-1/4"	3.74	2.72
1-1/2"	4.33	3.15
2"	5.12	3.82

Designed By JCM Advertising



Brewster, NY
 TEL: 800-431-2082
 FAX: 800-640-2252

Houston, TX
 TEL: 800-935-5456
 FAX: 800-683-4247

La Palma, CA
 TEL: 866-532-8306
 FAX: 866-532-8307

Americus, GA
 TEL: 800-433-7526
 FAX: 800-533-5134

e-mail: mail@matco-norca.com

www.matco-norca.com