

530LF Bronze Check Valve • Spec Sheet



FEATURES & BENEFITS

- Lead Free Bronze*
- ISO-9002
- 300 WOG Non-Shock
- 150 WSP
- Horizontal Pattern
- Threaded Cap
- NSF/ANSI 61 IAPMO Approved
- Threaded Ends Conform to ANSI Standards B2.1
- Valves are Tested in Accordance w/MSS-SP-82
- Sizes 3/8" – 2"

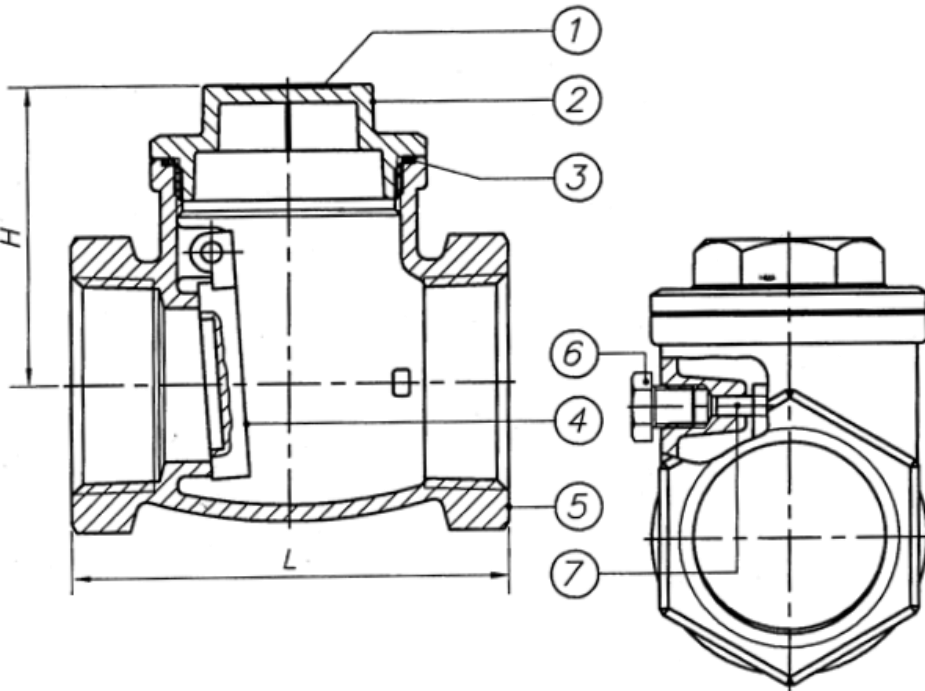
DIMENSIONS

Part #	Size	H	L
530T02LF	3/8"	1.42	2.09
530T03LF	1/2"	1.42	2.09
530T04LF	3/4"	1.56	2.36
530T05LF	1"	1.77	2.62
530T06LF	1-1/4"	2.07	3.19
530T07LF	1-1/2"	2.17	3.55
530T08LF	2"	2.74	4.22

MATERIAL SPECIFICATIONS

No.	Part	Material
1	Name Plate	Aluminium A1100
2	Cap	Bronze C89844
3	Packing	Fibre "H"
4	Disc	Bronze C89844
5	Body	Bronze C89844
6	Bolt	Bronze C89550
7	Pin	Brass B19 C26000

* These product complies with 0.25% weighted average lead content on wetted surfaces in accordance with Safe Water Drinking Act (SDWA) / Federal Public Law No. 111-380.



Global sourcing. National compliance. Local service.

CALIFORNIA 5593 Fresca Dr., La Palma CA 90623 • Toll Free: 866-532-8306 • Fax: 866-532-8307
TEXAS 1150 Silber Rd., Houston TX 77055 • Toll Free: 800-935-5456 • Fax: 713-680-2999
NEW YORK PO Box 27, Rt. 22, Brewster NY 10509 • Toll Free: 800-431-2082 • Fax: 845-278-9056
 WEB: www.matco-norca.com EMAIL: mail@matco-norca.com