

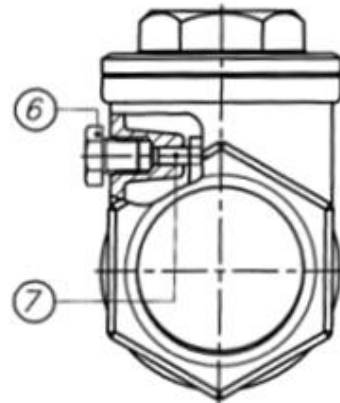
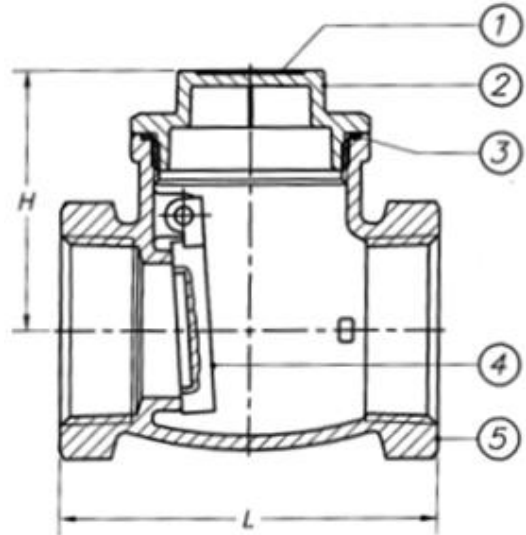
530LF Bronze Swing Check Valve

Specification Sheet

FEATURES & BENEFITS

- Lead Free Bronze Swing Check Valve
- 300 WOG Non-Shock
- 150 WSP
- Horizontal Pattern
- Threaded Cap
- NSF/ANSI 61 IAPMO Approved
- Threaded Ends Conform to ASME B1.20.1
- Valves Comply with MSS SP-80

Applications: Commercial, Light Industrial for Water, Oil, Gas and Steam



DIMENSIONS

Part #	Size	H	L
530T02LF	3/8"	1.42	2.09
530T03LF	1/2"	1.42	2.09
530T04LF	3/4"	1.56	2.36
530T05LF	1"	1.77	2.62
530T06LF	1-1/4"	2.07	3.19
530T07LF	1-1/2"	2.17	3.55
530T08LF	2"	2.74	4.22

MATERIAL SPECIFICATIONS

No.	Part	Material
1	Name Plate	Aluminum A1100
2	Bonnet	Bronze C83600
3	Packing	Fibre
4	Disc	Bronze C89844
5	Body	Bronze C89844
6	Bolt	Brass C46400
7	Pin	Brass C46400

