

529 SUMP PUMP CHECK VALVE



- ❖ ABS Black Plastic Body
- ❖ Rubber Flexible Connections
- ❖ Stainless Steel Clamps & Plate

Applications: Non-Pressurized Discharge Line

Product Spec Sheet

ISO 9001:2000



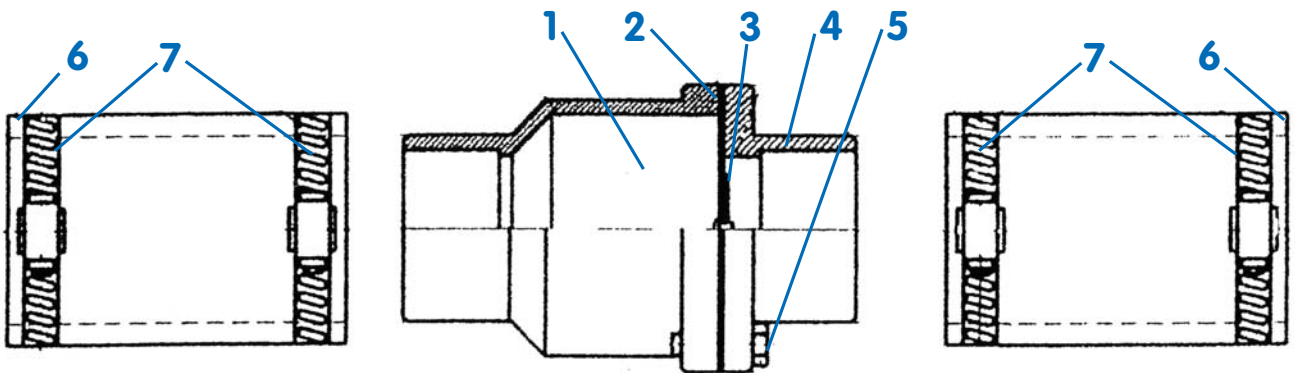
Available Models:

529-0808 - 2" x 2"

529-0706 - 1 1/2" x 1-1/4"

MATERIAL SPECIFICATIONS

NO.	Part	Material
1	Body	ABS
2	Washer	Rubber
3	Plate	S.S.
4	End Plate	ABS
5	Bolt	Carbon Steel
6	Joint	Thermo- Plastic
7	Clamp	S.S.



Brewster, NY
 TEL: 800-431-2082
 FAX: 800-640-2252

Houston, TX
 TEL: 800-935-5456
 FAX: 800-683-4247

La Palma, CA
 TEL: 866-532-8306
 FAX: 866-532-8307

Americus, GA
 TEL: 800-433-7526
 FAX: 800-533-5134

e-mail: mail@matco-norca.com

www.matco-norca.com