

525T Bronze Inline Check Valve • Spec Sheet



FEATURES & BENEFITS

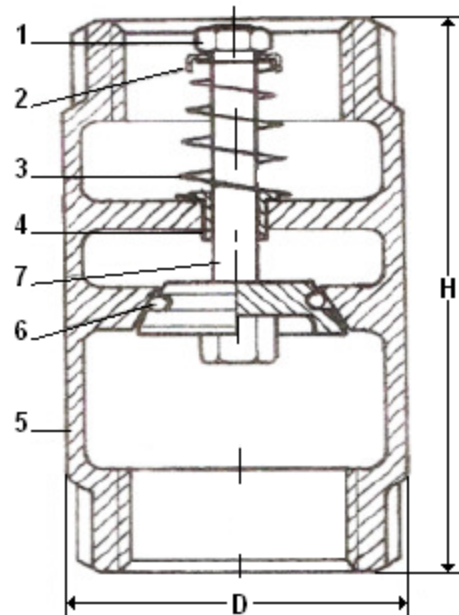
- ISO-9002
- In-Line Check Valve- Spring Loaded
- 200 WOG
- Bronze Body
- Threaded Ends Comply with ANSI B2.11
- Sizes 1/2" – 2"

MATERIAL SPECIFICATIONS

No.	PART	MATERIALS
1	Stem Nut	Stainless Steel
2	Spring Holder	Stainless Steel
3	Spring	Stainless Steel
4	Stem House	Polyacetal
5	Body	Bronze
6	O-Ring	BUNA-N
7	Stem	Bronze

DIMENSIONS

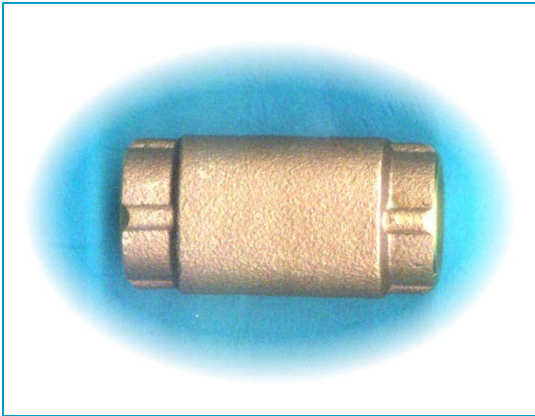
Size	H	D
1/2"	2.40	1.26
3/4"	2.74	1.50
1"	3.23	1.77
1-1/4"	3.63	2.13
1-1/2"	4.04	2.36
2"	5.04	3.03



MATCO-NORCA

Global sourcing. National compliance. Local service.

525C Bronze Inline Check Valve • Spec Sheet



FEATURES & BENEFITS

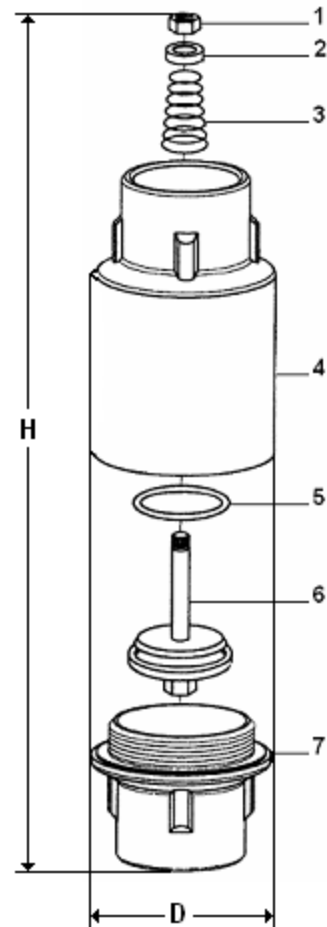
- ISO-9002
- In-Line Check Valve- Spring Loaded
- 200 WOG
- Bronze Body
- Sweat Ends Comply ANSI B16.18
- Sizes 1/2" – 2"

MATERIAL SPECIFICATIONS

No.	PART	MATERIALS
1	Stem Nut	Stainless Steel
2	Spring Holder	Stainless Steel
3	Spring	Stainless Steel
4	Body	Bronze
5	O-Ring	BUNA-N
6	Stem	Bronze
7	Bonnet	Bronze

DIMENSIONS

Size	H	D
1/2"	2.85	1.26
3/4"	3.53	1.50
1"	4.09	1.77
1-1/4"	4.67	2.17
1-1/2"	4.93	2.36
2"	6.06	3.03



 **MATCO-NORCA**

Global sourcing. National compliance. Local service.

CALIFORNIA 5593 Fresca Dr., La Palma CA 90623 • Toll Free: 866-532-8306 • Fax: 866-532-8307
TEXAS 1150 Silber Rd., Houston TX 77055 • Toll Free: 800-935-5456 • Fax: 713-680-2999
NEW YORK PO Box 27, Rt. 22, Brewster NY 10509 • Toll Free: 800-431-2082 • Fax: 845-278-9056
 WEB: www.matco-norca.com EMAIL: mail@matco-norca.com