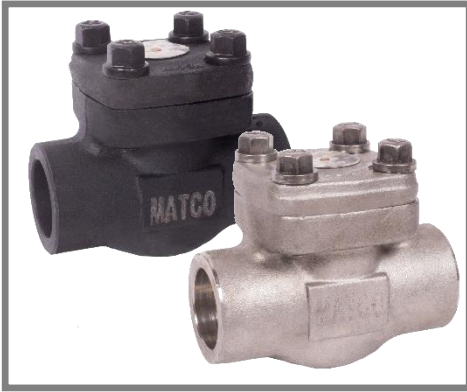


# 522F Socket Weld Forged Lift Check Valves • Spec Sheet

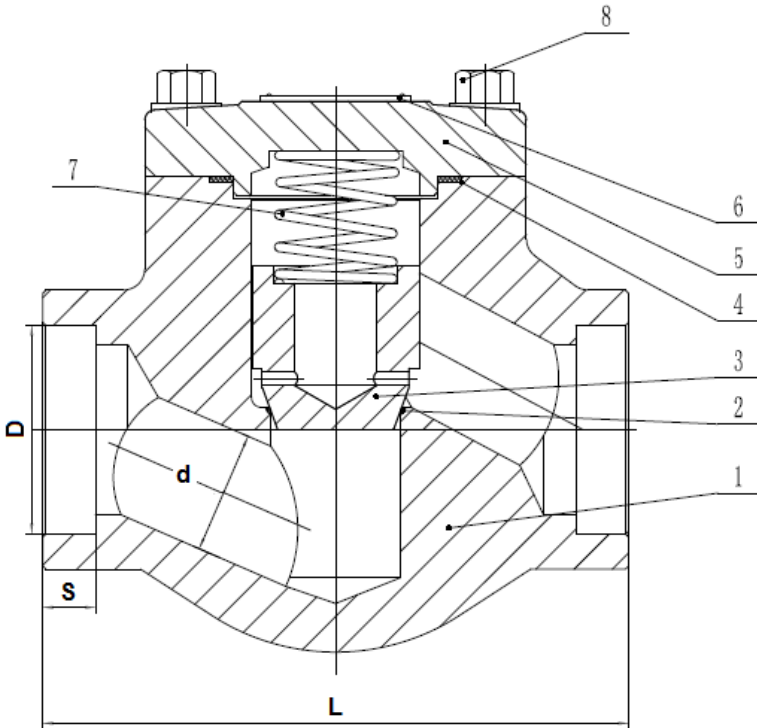


## FEATURES & BENEFITS

- Forged Carbon Steel Lift Check Valve
- Class 800
- ASTM A105
- ASME B16.34
- Maximum Pressure 1975 PSI
- Maximum Temperature 850
- Bolted Bonnet
- API 602 / API 598
- NACE MR0175
- Sizes 1/4" - 2"
- Forged Stainless Steel Lift Check Valve
- Class 800
- ASTM A182/316L
- ASME B16.34
- Maximum Pressure 1975 PSI
- Maximum Temperature 850
- Bolted Bonnet
- API 602 / API 598
- NACE MR0175
- Sizes 1/2" - 2"

## MATERIAL SPECIFICATIONS

| No. | Part       | Material Carbon         | Material Stainless     |
|-----|------------|-------------------------|------------------------|
| 1   | Body       | A105                    | F316L                  |
| 2   | Seat       | INT                     | INT                    |
| 3   | Disc       | 13Cr                    | F316L                  |
| 4   | Gasket     | SS304 Flexible Graphite | SS16 Flexible Graphite |
| 5   | Cover      | A105                    | F316L                  |
| 6   | Name Plate | AL                      | AL                     |
| 7   | Spring     | SS304                   | SS316                  |
| 8   | Bolt       | B7                      | B8M                    |



## DIMENSIONS

| Part # Carbon | Part # Stainless | Size - NPT | L    | d    | D    | S    | CV  |
|---------------|------------------|------------|------|------|------|------|-----|
| 522FCW01      | -                | 1/4"       | 3.11 | 0.24 | 0.56 | 0.38 | 1.2 |
| 522FCW02      | -                | 3/8"       | 3.11 | 0.32 | 0.69 | 0.38 | 2.4 |
| 522FCW03      | 522FSSW03        | 1/2"       | 3.11 | 0.39 | 0.86 | 0.38 | 3.7 |
| 522FCW04      | 522FSSW04        | 3/4"       | 3.62 | 0.51 | 1.07 | 0.50 | 6.8 |
| 522FCW05      | 522FSSW05        | 1"         | 4.37 | 0.69 | 1.33 | 0.50 | 11  |
| 522FCW06      | 522FSSW06        | 1-1/4"     | 4.73 | 0.91 | 1.68 | 0.50 | 20  |
| 522FCW07      | 522FSSW07        | 1-1/2"     | 4.73 | 1.10 | 1.92 | 0.50 | 28  |
| 522FCW08      | 522FSSW08        | 2"         | 5.52 | 1.38 | 2.41 | 0.63 | 48  |



**CALIFORNIA** 5595 Fresca Dr., La Palma CA 90623  
**TEXAS** 1150 Silber Rd., Houston TX 77055  
**ILLINOIS** 278 Windy Point Dr., Glendale Heights, IL 60139  
**GEORGIA** 113 Industrial Blvd., Americus, Georgia 31709  
**NEW YORK** PO Box 27, Rt.22, Brewster NY 10509  
 WEB: [www.matco-norca.com](http://www.matco-norca.com)

• Phone: 866-532-8306 • Fax: 866-532-8307  
 • Phone: 800-935-5456 • Fax: 713-680-2999  
 • Phone: 844-412-5068 • Fax: 800-640-2252  
 • Phone: 800-433-7526 • Fax: 800-533-5134  
 • Phone: 800-431-2082 • Fax: 845-278-9056  
 EMAIL: [mail@matco-norca.com](mailto:mail@matco-norca.com)